

T58 Series Low Voltage Thermostat SPDT With Center Off Position

Application

The T58 low voltage thermostats are used to position Johnson Controls M20AGA and M25MGA damper motor actuators. Models are available to position one or two motor actuators. Special models are available to position customer's actuators and/or relays.

The thermostat senses the room air temperature and automatically operates the damper actuator to position the air mixing damper.

All Series T58 thermostats are designed for use *only* as operating controls. Where an operating control failure would result in personal injury and/or loss of property, it is the responsibility of the installer to add devices (safety, limit controls) or systems (alarm, supervisory systems) that protect against, or warn of, control failure.

Features

- Snap-acting contacts with "Center Off" position, operated by a bimetal sensing element.
- Attractive styling.
- Heat and cold anticipators appropriately sized for current draw of operated device(s).

General Description

The thermostats have attractive styling. The snap-acting contacts are of fine silver and will not chatter. One piece installation to a standard vertical outlet box with two captive screws through baseplate. No mounting bracket is required.

The temperature setting is changed by sliding the selector lever at top of the thermostat.



Fig. 1: T58 Low Voltage Thermostat.

Repairs and Replacement

Field repairs must not be made. For a replacement thermostat, contact the nearest Johnson Controls wholesaler.

Ordering Information

To order, specify:

1. Complete Product Number, if available.
2. If Product Number is not available, specify Type Number and description.

Specifications

Product	T58EA-1, -2*	Positions One M20AGA Damper Motor Actuator
	T58EA-8	Positions Two M20AGA Damper Motor Actuators
	T58EA-12	Positions One M25AG() Damper Motor Actuator
	T58EA-**	For Customer Special Requirements
Contact Action	SPDT Snap-Acting Bimetal Operated With Center Off Position	
Range	55 to 90°F (13 to 35°C)	
Differential (Dead Band)	Nominal 4°F (2.2°C)	
Temperature Scale	COOL-WARM, Center of Scale Is Approximately 75°F (24°C)	
Material and Finish	Baseplate	Cold Rolled Steel, Baked On Beige Enamel
	Cover	Cold Rolled Steel, Baked On Ivory Enamel
Electrical Connections	Three Color Coded No. 18 Wire Leads, 6" (152 mm) Long	
Mounting	Standard Outlet Box With Two Captive Screws	
Shipping Weights	Individual Pack	1.0 lb (.45 kg)
	Overpack of 20	23.5 lb (10.7 kg)

* T58EA-2 Sequenced Heating-Cooling.

**Furnish complete description of device to be controlled.

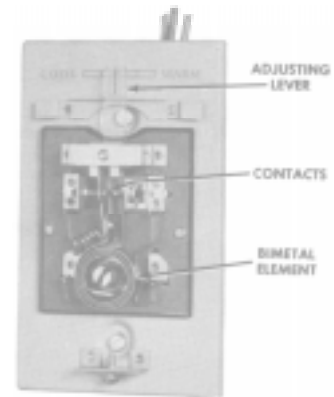


Fig. 2 -- T58 Thermostat with the cover removed.

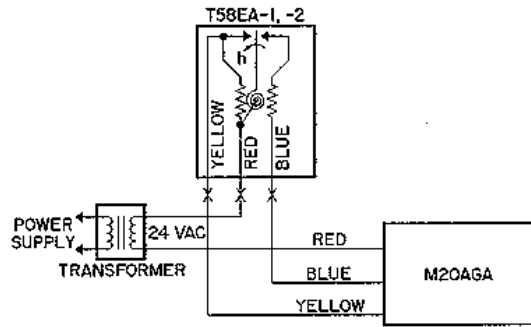


Fig. 3 — Typical wiring hookup of the T58EA-1 or T58EA-2 wired to position one M20AGA damper motor actuator.

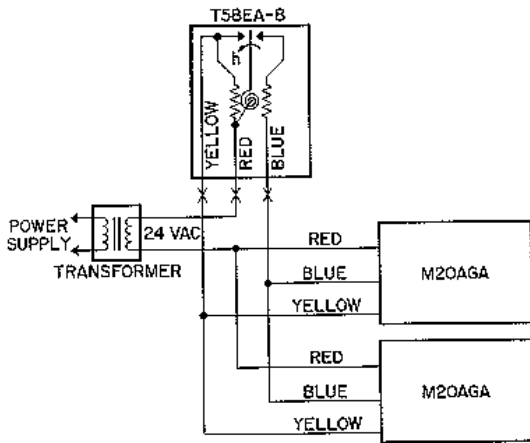


Fig. 4 — Typical wiring hookup of the T58EA-8 wired to position two M20AGA damper motor actuators.

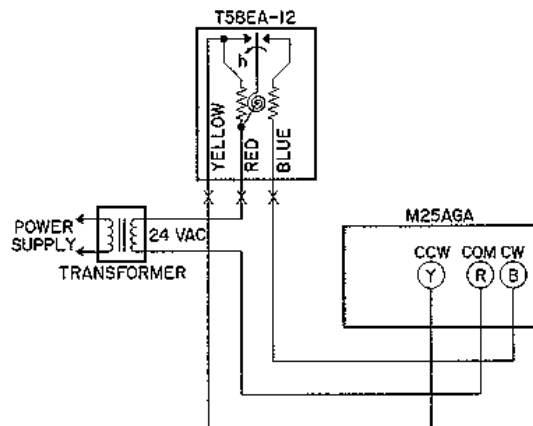
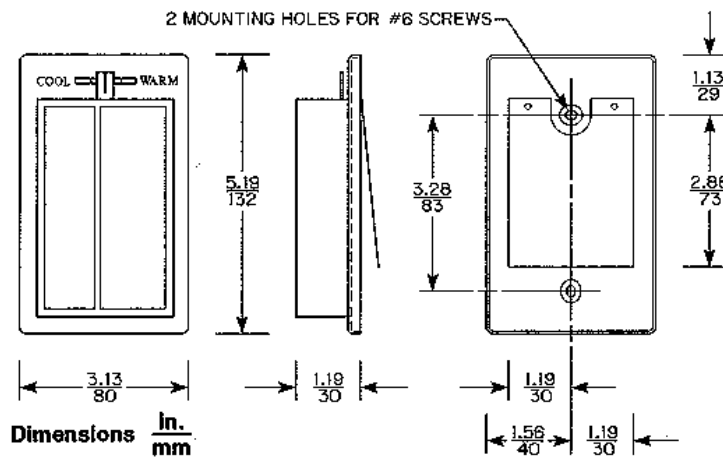


Fig. 5 — Typical wiring hookup of the T58EA-12 wired to position one M25AGA VAV damper motor actuator.



Performance specifications appearing herein are nominal and are subject to accepted manufacturing tolerances and application variables.

CSA Class No. 4813 02
File LR948

Controls Group
507 E. Michigan Street
P.O. Box 423
Milwaukee, WI 53202

Printed in U.S.A.