

GENERAL PURPOSE RELAYS



c3controls offers a full line of General Purpose Relays (“plug-in” relays), perfect for your control logic applications. Quick and economical to install, our relays allow for easy maintenance and assembly. c3’s relays come in a variety of base configurations, and we even offer hermetically sealed relays for hazardous locations.



Octal Base w/Pin	547
Square Base w/Blade	549
Flange Mounted w/Blade	553
Miniature Square w/Blade	555
Hermetically Sealed Octal Base w/Pin	563
Hermetically Sealed Miniature Square w/Blade	565
Pin & Blade Sockets	567
Retainer Clips	569
Dimensions	570

PROVEN



Conformity to Standards: GENERAL PURPOSE RELAYS

UL 508
CSA C22.2 No. 14
IEC 60947-1, 60947-4-1,
60947-5-1

HERMETICALLY SEALED RELAYS

UL 508, 1604
CSA C22.2 No. 14, 213
IEC 60947-1, 60947-4-1

SOCKETS

UL 508
CSA C22.2 No. 14
IEC 60947-1

Certifications:

UL File #: E236197 (Guide NLDX2, NLDX8), E224085 (Guide NRNT2)

CE Marked (per EU Low Voltage Directive 2006/95/EC and
RoHS Directive 2011/65/EU)

UL File #: E243998 (Guide NPKR, NPKR2, NPKR7, NPKR8)
CSA File #: 227135

CE Marked (per EU Low Voltage Directive 2006/95/EC and
RoHS Directive 2011/65/EU)

UL File #: E236196 (Guide SWIV2, SWIV8)


CE Marked (per EU Low Voltage Directive 2006/95/EC and
RoHS Directive 2011/65/EU)

Visit www.c3controls.com to download product certifications.

GENERAL PURPOSE RELAYS

Every c3controls product is designed and manufactured to meet the needs of the machine builder, including our comprehensive line of General Purpose Relays. Check out all the features of our Series GR below!

QUICK AND ECONOMICAL—PERFECT FOR ALL YOUR CONTROL LOGIC APPLICATIONS.

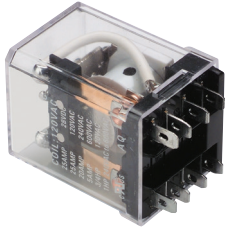
✓ Proven	Our general purpose relays meet UL, CSA and IEC standards requirements making them suitable for use in global applications. 
✓ Multiple Styles	Our line of General Purpose Relays for Ordinary and Hazardous locations are available in Octal Base, Square Base, Flange Mounted, Miniature, and Hermetically Sealed.
✓ Convenient Customization	Pin and blade terminal styles are interchangeable with other commonly available relays.
✓ Easy Reference	Schematic diagrams and terminal markings are located right on the relay for easy reference during installation.
✓ Power Savings	Low coil consumption minimizes transformer and power supply requirements.
✓ Transparent Housing	Allows you to see switching operations and the condition of the contacts.
✓ Wide Range of Specifications	Pole combinations are available in SPDT, DPDT, 3PDT, 4PDT with a carrying current rating of 5A-25A.
✓ Environmentally Safe	Our AgNi contacts are cadmium free and environmentally friendly.
✓ Lifetime Warranty*	Every product is backed by our lifetime warranty—unmatched in the industry—bringing you quality components that perform in the most demanding applications.
✓ Guaranteed Same-Day Shipping*	Product availability reduces inventory, and improves cash-flow—saving you money. With c3controls any order for standard catalog items received by 6:00pm ET is guaranteed to ship same-day.
✓ Advantage Pricing	Our approach to product development, manufacturing, and focus on servicing the OEM and Electrical Equipment Builder reduces cost. The result—the best value in the industry.

*See c3controls Terms & Conditions

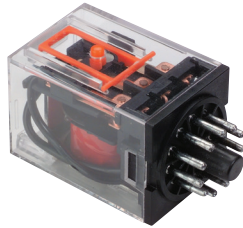
“For years, c3controls has helped us meet the rigorous specifications for quality and performance on all of our systems, while also providing us superior service and delivery.”

Brandon Durar, President • **JonRie InterTech, LLC**

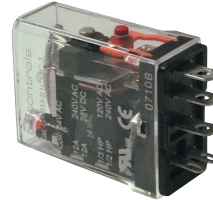
Square Base Relay with Blade Terminals



Octal Base Relay with Pin Terminals



Miniature Slim Line Square Base Relay with Blade Terminals

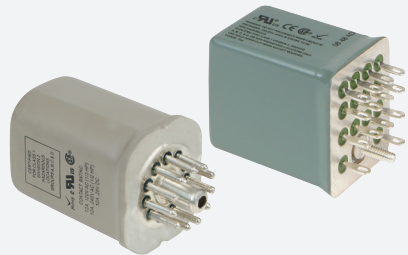


Hermetically Sealed Octal Base Relay with Pin Terminals



UNIQUE PRODUCT LINE FEATURES

CLASS 1, DIVISION 2



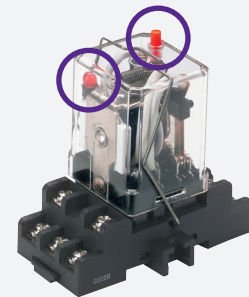
Our hermetically sealed metal enclosures have a temperature code of T4A and are suitable for use in Class 1, Division 2 Group A, B, C and D, and Zone 2, Group IIA, IIB, and IIC Hazardous locations.

ZERO CONTAMINANTS



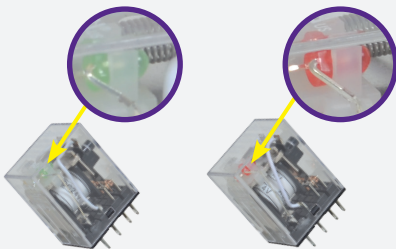
The hermetically sealed relays are vacuum baked and dry nitrogen filled to remove contaminants and provide a clean and dry atmosphere for contacts.

MECHANICAL ACTUATOR



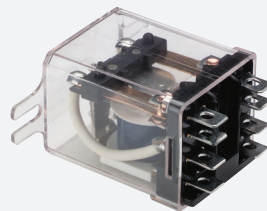
Optional mechanical actuator and indicating light for checking the control circuit operation without energizing the relay.

QUICK IDENTIFICATION



Tape wound coils are marked with the coil voltage and our optional indicating lights are color coded, red for AC and green for DC.

FLANGE MOUNTED RELAY



Flange mounting eliminates the need for a socket resulting in lower installation costs.

FIND IT FAST

General Purpose Relays



- Certifications
- Specifications
- Dimension Drawings
- Installation Instructions
- Easy to Buy

www.c3controls.com

OCTAL BASE RELAYS WITH PIN TERMINALS

- DPDT and 3PDT for control circuit application flexibility.
- 10A, DPDT and 10A, 3PDT.
- AC and DC coils.
- Pin terminals are interchangeable with other commonly available relays.
- Tape wound coils are marked with the coil voltage for easy identification.
- AgNi contacts, environmentally friendly - cadmium free.
- 100% tested to ensure performance to specification.
- Mechanical actuator provided as standard for checking the control circuit operation without energizing the relay.
- Optional indicating light (red for AC, green for DC) to easily determine the relay status.
- Schematic diagram and terminal markings on the relay for easy reference during installation.
- Low coil consumption to minimize transformer and power supply requirements.
- cURus and CE for acceptance in global applications.
- Transparent housing to visually monitor switching operations and contact condition.

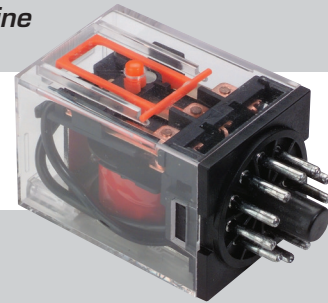
IT'S EASY TO BUILD YOUR OWN RELAY

Simply pick the code number from each of the sections below and combine them to build your part number.

Octal Base Relay w/Pin Terminals

GPRS-P -
 I II III IV

Example: To build one of our most popular Relays, the part number would be **GPRS-P + II + III + IV** or **GPRS-P2C10D-1**



I. RELAY TYPE

CODE	DESCRIPTION	LIST
GPRS-P	General Purpose Relay w/Pin	\$14.00

II. POLES & CURRENT RATING

CODE	DESCRIPTION	LIST
2C10	DPDT, 10A (8 Pin)	—
3C10	3PDT, 10A (11 Pin)	\$ 1.60

III. COIL VOLTAGES

CODE	DESCRIPTION
C	24V AC
D	120V AC
F	240V AC
ZC	24V DC
ZJ	48V DC
ZD	110V DC

IV. ACTUATOR OPTIONS

CODE	DESCRIPTION	LIST
1	Mechanical Actuator (included)	—
3	Light & Mechanical Actuator	\$ 2.00

Relays available in convenient multi-packs, consult factory for details.

COMPATIBLE SOCKETS

RELAY TYPE	COMPATIBLE SOCKETS
GPRS-P2C10**	GPRA-SP08G1 with IP20 Guarded Terminals or GPRA-SP08U1 with Open Style Terminals
GPRS-P3C10**	GPRA-SP11G1 with IP20 Guarded Terminals or GPRA-SP11U1 with Open Style Terminals

NOTE: **Represents the Coil Voltage Code. Refer to Chart III *Coil Voltage* above.
See page 567 for socket information.



OCTAL BASE RELAYS WITH PIN TERMINALS						
	UNITS					
ELECTRICAL RATINGS						
POLE COMBINATION						
			DPDT		3PDT	
Contact Resistance	mΩ		50		50	
Dielectric Strength (Coil to Contact)	AC Volts (50/60 HZ - 1 Minute)		1000 V		1000 V	
Dielectric Strength (Between Contacts)	AC Volts (50/60 HZ - 1 Minute)		1000 V		1000 V	
Insulation Resistance (500 VDC)	MΩ [Min.]		100		100	
Max. Switching (ON/OFF) Mechanical	Oper./Min.		240		240	
Max. Switching (ON/OFF) Electrical	Oper./Min.		30		30	
Life Expectancy - Mechanical	Operations [Min]		10M		10M	
Life Expectancy - Elect (@120 V Resistive)	Operations [Min]		100K		100K	
Vibration: Endurance	1.5 mm (Double Amplitude)		10 ~ 55 Hz		10 ~ 55 Hz	
Vibration: Error Operation	1.5 mm (Double Amplitude)		10 ~ 55 Hz		10 ~ 55 Hz	
Shock: Endurance	G Min.		50		50	
Shock: Error Operation	G Min.		10		10	
Coil Operate Time (Pick-Up)	mSec (Max.)		25		25	
Coil Release Time (Drop Out)	mSec (Max.)		25		25	
CONTACT RATING						
Rated Carrying Current			10 A		10 A	
Max. Allowable Voltage			240 VAC 120 VDC		240 VAC 120 VDC	
Capacity: Resistive Load	P.F. = 1.0		240 VAC - 10 A 120 VAC - 10 A 28 VDC - 10 A		240 VAC - 10 A 120 VAC - 10 A 28 VDC - 10 A	
Inductive Loads	P.F. = 0.4 [L/R = 7 mSec.]		240 VAC - 7 A 120 VAC - 10 A 28 VDC - 8 A		240 VAC - 7 A 120 VAC - 10 A 28 VDC - 8 A	
Minimum Recommended Load			10 VDC - 10 mA		10 VDC - 10 mA	
COIL SPECIFICATIONS (@ 20° C) — (DPDT & 3PDT)						
NOMINAL COIL VOLTAGE (VOLTS)	Nominal Current (mA)	Coil Resistance (+/- 10% OHMS)	Power Consumption	Pick-Up Voltage	Drop-Out Voltage	Max. Allowed Voltage
24 VAC (@ 60 HZ)	88	91	1.9 ~ 2.8 VA	80% Max. Rated	30% Min. Rated	110% Rated
120 VAC (@ 60 HZ)	21	1,620	1.9 ~ 2.8 VA			
240 VAC (@ 60 HZ)	11	7,100	1.9 ~ 2.8 VA			
24 VDC	56	430	1.5 W	80% Max. Rated	10% Min. Rated	110% Rated
48 VDC	29.5	1,630	1.5 W			
110 VDC	16.2	6,800	1.5 W			
ENVIRONMENTAL/PHYSICAL PARAMETERS						
Operating Ambient Temperature	-10° to +40° C (14° to +104° F) Assumes a DRY environment — Enclosed					
Operating Humidity	35% to 85% RH (Recommended)					
Unit Weight (2 ~ 3 Pole Relay)	85g (3oz.)					
Relay and Socket Dimensions	See outline drawings on pages 570 - 575					
MATERIALS & CONSTRUCTION						
Contacts	AgNi Alloy					
Plated Brass Terminations	Cadmium Free					
Solder Connections	Lead Free					
Moldings	Thermoplastic and Thermoset					
ROHS COMPLIANCE	For RoHS compliance documentation by product, refer to www.c3controls.com					

SQUARE BASE RELAYS WITH BLADE TERMINALS

- DPDT and 3PDT for control circuit application flexibility.
- 13A, DPDT and 13A, 3PDT.
- 1/3HP @ 120V AC, 1/2HP @ 240V AC.
- AC and DC coils.
- Blade terminals (3/16") are interchangeable with other commonly available relays.
- Tape wound coils are marked with the coil voltage for easy identification.
- AgNi contacts, environmentally friendly - cadmium free.
- cURus and CE for acceptance in global applications.
- Optional mechanical actuator and indicating light (red for AC and green for DC) for checking the control circuit operation without energizing the relay and to easily determine the relay status.
- Schematic diagram and terminal markings on the relay for easy reference during installation.
- Low coil consumption to minimize transformer and power supply requirements.
- Transparent housing to visually monitor switching operations and contact condition.
- 100% tested to ensure performance to specification.

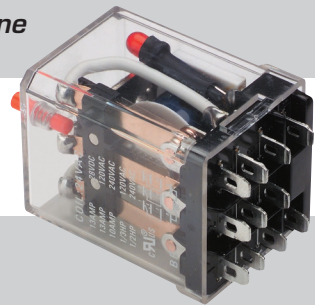
IT'S EASY TO BUILD YOUR OWN RELAY

Simply pick the code number from each of the sections below and combine them to build your part number.

Square Base Relay w/Blade Terminals

GPRS-B -
 I II III IV

Example: To build one of our most popular Relays, the part number would be **GPRS-B + II + III + IV** or **GPRS-B3C13C-3**



I. RELAY TYPE

CODE	DESCRIPTION	LIST
GPRS-B	General Purpose Relay w/Blade	\$14.00

II. POLES & CURRENT RATING

CODE	DESCRIPTION	LIST
2C13	DPDT, 13A (8 Blade)	—
3C13	3PDT, 13A (11 Blade)	\$ 1.60

III. COIL VOLTAGES

CODE	DESCRIPTION
C	24V AC
D	120V AC
F	240V AC
ZC	24V DC
ZJ	48V DC
ZD	110V DC

IV. ACTUATOR OPTIONS

CODE	DESCRIPTION	LIST
(Blank)	No Light & Mechanical Actuator	—
3	Light & Mechanical Actuator	\$ 2.00

Relays available in convenient multi-packs, consult factory for details.

COMPATIBLE SOCKETS

RELAY TYPE	COMPATIBLE SOCKETS
GPRS-B2C13**	GPRA-SB11G1 with IP20 Guarded Terminals or
GPRS-B3C13**	GPRA-SB11U1 with Open Style Terminals

NOTE: **Represents the Coil Voltage Code. Refer to Chart III *Coil Voltage* above.
 See page 568 for socket information.



SQUARE BASE RELAY WITH BLADE TERMINALS					
	UNITS				
ELECTRICAL RATINGS					
POLE COMBINATION			DPDT		3PDT
Contact Resistance	mΩ		50		50
Dielectric Strength (Coil to Contact)	AC Volts (50/60 HZ - 1 Minute)		1500 V		1500 V
Dielectric Strength (Between Contacts)	AC Volts (50/60 HZ - 1 Minute)		1000 V		1000 V
Insulation Resistance (500 VDC)	MΩ [Min.]		100		100
Max. Switching (ON/OFF) Mechanical	Oper./Min.		300		300
Max. Switching (ON/OFF) Electrical	Oper./Min.		30		30
Life Expectancy - Mechanical	Operations [Min]		10M		10M
Life Expectancy - Elect (@120 V Resistive)	Operations [Min]		100K		100K
Vibration: Endurance	1.5 mm (Double Amplitude)		10 ~ 55 Hz		10 ~ 55 Hz
Vibration: Error Operation	1.5 mm (Double Amplitude)		10 ~ 55 Hz		10 ~ 55 Hz
Shock: Endurance	G Min.		50		50
Shock: Error Operation	G Min.		10		10
Coil Operate Time (Pick-Up)	mSec (Max.)		15		15
Coil Release Time (Drop Out)	mSec (Max.)		10		10
CONTACT RATING					
Rated Carrying Current			13 A		13 A
Max. Allowable Voltage			300 VAC 120 VDC		300 VAC 120 VDC
Capacity: Resistive Load	P.F. = 1.0		240 VAC - 10 A 120 VAC - 13 A 28 VDC - 13 A		240 VAC - 10 A 120 VAC - 13 A 28 VDC - 13 A
Inductive Loads	P.F. = 0.4 [L/R = 7 mSec.]		240 VAC - 7 A 120 VAC - 10 A 28 VDC - 8 A		240 VAC - 7 A 120 VAC - 10 A 28 VDC - 8 A
Motor Loads	120 VAC 240 VAC		1/3 HP 1/2 HP		1/3 HP 1/2 HP
Minimum Recommended Load			10 VDC - 10 mA		10 VDC - 10 mA
COIL SPECIFICATIONS (@ 20° C) — (DPDT)					
NOMINAL COIL VOLTAGE (VOLTS)	Coil Resistance (+/- 10% OHMS)	Power Consumption	Pick-Up Voltage	Drop-Out Voltage	Max. Allowed Voltage
24 VAC (@ 60 HZ)	85	2.5 VA	85% Max. Rated	30% Min. Rated	110% Rated
120 VAC (@ 60 HZ)	2,250	2.5 VA			
240 VAC (@ 60 HZ)	9,110	2.5 VA			
24 VDC	472	1.5 W	80% Max. Rated	10% Min. Rated	110% Rated
48 VDC	1,800	1.5 W			
110 VDC	10,000	1.5 W			
COIL SPECIFICATIONS (@ 20° C) — (3PDT)					
NOMINAL COIL VOLTAGE (VOLTS)	Coil Resistance (+/- 10% OHMS)	Power Consumption	Pick-Up Voltage	Drop-Out Voltage	Max. Allowed Voltage
24 VAC (@ 60 HZ)	72	2.75 VA	85% Max. Rated	30% Min. Rated	110% Rated
120 VAC (@ 60 HZ)	1,700	2.75 VA			
240 VAC (@ 60 HZ)	7,200	2.75 VA			
24 VDC	472	1.5 W	80% Max. Rated	10% Min. Rated	110% Rated
48 VDC	1,800	1.5 W			
110 VDC	10,000	1.5 W			
ENVIRONMENTAL/PHYSICAL PARAMETERS					
Operating Ambient Temperature	-45° to +70° C (-49° to +158° F) Assumes a DRY environment — Enclosed				
Operating Humidity	35% to 85% RH (Recommended)				
Unit Weight (2 ~ 3 Pole Relay)	90g (3.2oz.)				
Relay and Socket Dimensions	See outline drawings on pages 570 - 575				
MATERIALS & CONSTRUCTION					
Contacts	AgNi Alloy				
Plated Brass Terminations	Cadmium Free				
Solder Connections	Lead Free				
Moldings	Thermoplastic and Thermoset				
ROHS COMPLIANCE	For RoHS compliance documentation by product, refer to www.c3controls.com				

SQUARE BASE RELAYS WITH BLADE TERMINALS

- DPDT and 3PDT for control circuit application flexibility.
- 25A, DPDT and 20A, 3PDT.
- Maximum 1/2HP @ 120V AC, 1/2HP @ 240V AC.
- AC and DC coils.
- Blade terminals (3/16") are interchangeable with other commonly available relays.
- Tape wound coils are marked with the coil voltage for easy identification.
- AgNi contacts, environmentally friendly - cadmium free.
- cURus and CE for acceptance in global applications.
- Optional mechanical actuator and indicating light (red for AC and green for DC) for checking the control circuit operation without energizing the relay and to easily determine the relay status.
- Low coil consumption to minimize transformer and power supply requirements.
- Transparent housing to visually monitor switching operations and contact condition.
- 100% tested to ensure performance to specification.

IT'S EASY TO BUILD YOUR OWN RELAY

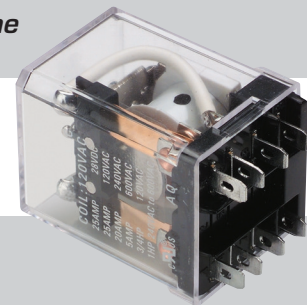
Simply pick the code number from each of the sections below and combine them to build your part number.

Square Base Relay w/Blade Terminals

GPRS-B -

I II III IV

Example: To build one of our most popular Relays, the part number would be **GPRS-B + II + III + IV** or **GPRS-B2C25D**



I. RELAY TYPE

CODE	DESCRIPTION	LIST
GPRS-B	General Purpose Relay w/Blade	\$17.00

II. POLES & CURRENT RATING

CODE	DESCRIPTION	LIST
2C25	DPDT, 25A (8 Blade)	—
3C20	3PDT, 20A (11 Blade)	\$ 1.20

III. COIL VOLTAGES

CODE	DESCRIPTION
C	24V AC
D	120V AC
F	240V AC
ZC	24V DC
ZJ	48V DC
ZD	110V DC

IV. ACTUATOR OPTIONS

CODE	DESCRIPTION	LIST
(Blank)	No Light & Mechanical Actuator	—
3	Light & Mechanical Actuator	\$ 2.00

Relays available in convenient multi-packs, consult factory for details.

COMPATIBLE SOCKETS

RELAY TYPE	COMPATIBLE SOCKETS
GPRS-B2C25**	GPRA-SB11G1 with IP20 Guarded Terminals or
GPRS-B3C20**	GPRA-SB11U1 with Open Style Terminals

NOTE: **Represents the Coil Voltage Code. Refer to Chart III *Coil Voltage* above.
See page 568 for socket information.



SQUARE BASE RELAYS WITH BLADE TERMINALS					
	UNITS				
ELECTRICAL RATINGS					
POLE COMBINATION			DPDT		3PDT
Contact Resistance		mΩ	50		50
Dielectric Strength (Coil to Contact)		AC Volts (50/60 HZ - 1 Minute)	1500 V		1500 V
Dielectric Strength (Between Contacts)		AC Volts (50/60 HZ - 1 Minute)	1000 V		1000 V
Insulation Resistance (500 VDC)		MΩ [Min.]	100		100
Max. Switching (ON/OFF) Mechanical		Oper./Min.	240		240
Max. Switching (ON/OFF) Electrical		Oper./Min.	30		30
Life Expectancy - Mechanical		Operations [Min]	10M		10M
Life Expectancy - Elect (@120 V Resistive)		Operations [Min]	100K		100K
Vibration: Endurance		1.5 mm (Double Amplitude)	10 ~ 55 Hz		10 ~ 55 Hz
Vibration: Error Operation		1.5 mm (Double Amplitude)	10 ~ 55 Hz		10 ~ 55 Hz
Shock: Endurance		G Min.	50		50
Shock: Error Operation		G Min.	10		10
Coil Operate Time (Pick-Up)		mSec (Max.)	15		15
Coil Release Time (Drop Out)		mSec (Max.)	10		10
CONTACT RATING					
Rated Carrying Current			25 A		20 A
Max. Allowable Voltage			600 VAC 120 VDC		600 VAC 120 VDC
Capacity: Resistive Load		P.F. = 1.0	240 VAC - 25 A 120 VAC - 25 A 28 VDC - 25 A		240 VAC - 20 A 120 VAC - 20 A 28 VDC - 13 A
Inductive Loads		P.F. = 0.4 [L/R = 7 mSec.]	240 VAC - 15 A 120 VAC - 25 A 28 VDC - 18 A		240 VAC - 15 A 120 VAC - 20 A 28 VDC - 13 A
Motor Loads		120 VAC 240 VAC	3/4 HP 1 HP		1/2 HP 1/2 HP
Minimum Recommended Load			100 mA		100 mA
COIL SPECIFICATIONS (@ 20° C) — (DPDT)					
NOMINAL COIL VOLTAGE (VOLTS)	Coil Resistance (+/- 10% OHMS)	Power Consumption	Pick-Up Voltage	Drop-Out Voltage	Max. Allowed Voltage
24 VAC (@ 60 HZ)	72	2.5 VA	85% Max. Rated	30% Min. Rated	110% Rated
120 VAC (@ 60 HZ)	1,700	2.5 VA			
240 VAC (@ 60 HZ)	7,200	2.5 VA			
24 VDC	472	1.5 W	75% Max. Rated	10% Min. Rated	110% Max. Rated
48 VDC	1,800	1.5 W			
110 VDC	10,000	1.5 W			
COIL SPECIFICATIONS (@ 20° C) — (3PDT)					
NOMINAL COIL VOLTAGE (VOLTS)	Coil Resistance (+/- 10% OHMS)	Power Consumption	Pick-Up Voltage	Drop-Out Voltage	Max. Allowed Voltage
24 VAC (@ 60 HZ)	60	2.75 VA	85% Max. Rated	30% Min. Rated	110% Rated
120 VAC (@ 60 HZ)	1,300	2.75 VA			
240 VAC (@ 60 HZ)	4,300	2.75 VA			
24 VDC	340	1.5 W	75% Max. Rated	10% Min. Rated	110% Max. Rated
48 VDC	1,360	1.5 W			
110 VDC	8,500	1.5 W			
ENVIRONMENTAL/PHYSICAL PARAMETERS					
Operating Ambient Temperature	-45° to +70° C (-49° to +158° F) Assumes a DRY environment — Enclosed				
Operating Humidity	35% to 85% RH (Recommended)				
Unit Weight (2 ~ 3 Pole Relay)	90g (3.2oz.)				
Relay and Socket Dimensions	See outline drawings on pages 570 - 575				
MATERIALS & CONSTRUCTION					
Contacts	AgNi Alloy				
Plated Brass Terminations	Cadmium Free				
Solder Connections	Lead Free				
Moldings	Thermoplastic and Thermoset				
ROHS COMPLIANCE	For RoHS compliance documentation by product, refer to www.c3controls.com				

FLANGE MOUNTED RELAYS WITH BLADE TERMINALS

- DPDT and 3PDT for control circuit application flexibility.
- 25A, DPDT and 20A, 3PDT.
- 3/4HP @ 120V AC, 1HP @ 240V AC.
- AC and DC coils.
- Flange mounting eliminates the need for a socket resulting in lower installed cost.
- Blade terminals (1/4") accept commonly available fast-on connectors.
- Tape wound coils are marked with the coil voltage for easy identification.
- AgNi contacts, environmentally friendly - cadmium free.
- Low coil consumption to minimize transformer and power supply requirements.
- cURus and CE for acceptance in global applications.
- Transparent housing to visually monitor switching operations and contact condition.
- 100% tested to ensure performance to specification.

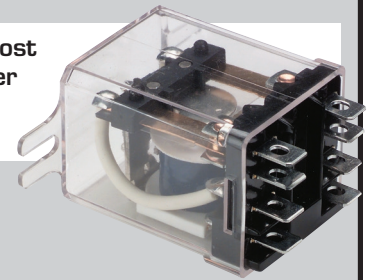
IT'S EASY TO BUILD YOUR OWN RELAY

Simply pick the code number from each of the sections below and combine them to build your part number.

Flange Mounted Relay w/Blade Terminals

GPRF-T
/ // ///

Example: To build one of our most popular Relays, the part number would be **GPRF-T + II + III** or **GPRF-T2C25ZC**



I. RELAY TYPE

CODE	DESCRIPTION	LIST
GPRF-T	General Purpose Relay w/Blade	\$17.00

II. POLES & CURRENT RATING

CODE	DESCRIPTION	LIST
2C25	DPDT, 25A (8 Blade)	—
3C20	3PDT, 20A (11 Blade)	\$ 1.20

III. COIL VOLTAGES

CODE	DESCRIPTION
C	24V AC
D	120V AC
F	240V AC
ZC	24V DC
ZJ	48V DC
ZD	110V DC

Relays available in convenient multi-packs, consult factory for details.



FLANGE MOUNTED RELAYS WITH BLADE TERMINALS					
	UNITS				
ELECTRICAL RATINGS					
POLE COMBINATION			DPDT		3PDT
Contact Resistance	mΩ		50		50
Dielectric Strength (Coil to Contact)	AC Volts (50/60 HZ - 1 Minute)		1500 V		1500 V
Dielectric Strength (Between Contacts)	AC Volts (50/60 HZ - 1 Minute)		1000 V		1000 V
Insulation Resistance (500 VDC)	MΩ [Min.]		100		100
Max. Switching (ON/OFF) Mechanical	Oper./Min.		240		240
Max. Switching (ON/OFF) Electrical	Oper./Min.		30		30
Life Expectancy - Mechanical	Operations [Min]		10M		10M
Life Expectancy - Elect (@120 V Resistive)	Operations [Min]		100K		100K
Vibration: Endurance	1.5 mm (Double Amplitude)		10 ~ 55 Hz		10 ~ 55 Hz
Vibration: Error Operation	1.5 mm (Double Amplitude)		10 ~ 55 Hz		10 ~ 55 Hz
Shock: Endurance	G Min.		50		50
Shock: Error Operation	G Min.		10		10
Coil Operate Time (Pick-Up)	mSec (Max.)		15		15
Coil Release Time (Drop Out)	mSec (Max.)		10		10
CONTACT RATING					
Rated Carrying Current			25 A		20 A
Max. Allowable Voltage			600 VAC 120 VDC		600 VAC 120 VDC
Capacity: Resistive Load	P.F. = 1.0		240 VAC - 25 A 120 VAC - 25 A 28 VDC - 25 A		240 VAC - 20 A 120 VAC - 20 A 28 VDC - 13 A
Inductive Loads	P.F. = 0.4 [L/R = 7 mSec.]		240 VAC - 15 A 120 VAC - 25 A 28 VDC - 18 A		240 VAC - 15 A 120 VAC - 20 A 28 VDC - 13 A
Motor Loads	120 VAC 240 VAC		3/4 HP 1 HP		1/2 HP 1/2 HP
Minimum Recommended Load			100 mA		100 mA
COIL SPECIFICATIONS (@ 20° C) — (DPDT)					
NOMINAL COIL VOLTAGE (VOLTS)	Coil Resistance (+/- 10% OHMS)	Power Consumption	Pick-Up Voltage	Drop-Out Voltage	Max. Allowed Voltage
24 VAC (@ 60 HZ)	72	2.5 VA	85% Max. Rated	30% Min. Rated	110% Rated
120 VAC (@ 60 HZ)	1,700	2.5 VA			
240 VAC (@ 60 HZ)	7,200	2.5 VA			
24 VDC	472	1.5 W	75% Max. Rated	10% Min. Rated	110% Rated
48 VDC	1,800	1.5 W			
110 VDC	10,000	1.5 W			
COIL SPECIFICATIONS (@ 20° C) — (3PDT)					
NOMINAL COIL VOLTAGE (VOLTS)	Coil Resistance (+/- 10% OHMS)	Power Consumption	Pick-Up Voltage	Drop-Out Voltage	Max. Allowed Voltage
24 VAC (@ 60 HZ)	60	2.75 VA	85% Max. Rated	30% Min. Rated	110% Rated
120 VAC (@ 60 HZ)	1,300	2.75 VA			
240 VAC (@ 60 HZ)	4,300	2.75 VA			
24 VDC	340	1.5 W	75% Max. Rated	10% Min. Rated	110% Rated
48 VDC	1,360	1.5 W			
110 VDC	8,500	1.5 W			
ENVIRONMENTAL/PHYSICAL PARAMETERS					
Operating Ambient Temperature	-45° to +70° C (-49° to +158° F) Assumes a DRY environment — Enclosed				
Operating Humidity	35% to 85% RH (Recommended)				
Unit Weight (2 ~ 3 Pole Relay)	90g (3.2oz.)				
Relay and Socket Dimensions	See outline drawings on pages 570 - 575				
MATERIALS & CONSTRUCTION					
Contacts	AgNi Alloy				
Plated Brass Terminations	Cadmium Free				
Solder Connections	Lead Free				
Moldings	Thermoplastic and Thermoset				
ROHS COMPLIANCE	For RoHS compliance documentation by product, refer to www.c3controls.com				

MINIATURE SQUARE BASE RELAYS w/BLADE TERMINALS

- DPDT and 4PDT for control circuit application flexibility.
- 5A, DPDT and 5A, 4PDT.
- AC and DC coils.
- Blade terminals are interchangeable with other commonly available relays.
- Tape wound coils are marked with the coil voltage for easy identification.
- AgNi contacts, environmentally friendly - cadmium free.
- Small size requiring minimum panel space for lower installed cost.
- cURus and CE for acceptance in global applications.
- Optional mechanical actuator and indicating light (red for AC and green for DC) for checking the control circuit operation without energizing the relay and to easily determine the relay status.
- Terminal markings on the relay for easy reference during installation.
- Low coil consumption to minimize transformer and power supply requirements.
- Transparent housing to visually monitor switching operations and contact condition.
- 100% tested to ensure performance to specification.

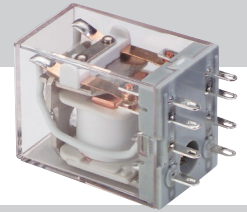
IT'S EASY TO BUILD YOUR OWN RELAY

Simply pick the code number from each of the sections below and combine them to build your part number.

Miniature Square Base Relay w/Blade Terminals

GPRM-B -
I II III IV

Example: To build one of our most popular Relays, the part number would be **GPRM-B + II + III + IV** or **GPRM-B2C05D**



I. RELAY TYPE

CODE	DESCRIPTION	LIST
GPRM-B	General Purpose Relay w/Blade	\$10.00

II. POLES & CURRENT RATING

CODE	DESCRIPTION	LIST
2C05	DPDT, 5A (8 Blade)	—
4C05	4PDT, 5A (14 Blade)	\$ 1.20

III. COIL VOLTAGES

CODE	DESCRIPTION
C	24V AC
D	120V AC
E	220-240V AC
ZC	24V DC
ZJ	48V DC
ZD	110V DC

IV. ACTUATOR OPTIONS

CODE	DESCRIPTION	LIST
(Blank)	No Light & Mechanical Actuator	—
3	Light & Mechanical Actuator	\$ 2.00

Relays available in convenient multi-packs, consult factory for details.

COMPATIBLE SOCKETS

RELAY TYPE	COMPATIBLE SOCKETS
GPRM-B2C05**	GPRA-SB14U1 with Open Style Terminals
GPRM-B4C05**	

NOTE: **Represents the Coil Voltage Code. Refer to Chart III *Coil Voltage* above.
See page 569 for socket information.



MINIATURE SQUARE BASE RELAYS WITH BLADE TERMINALS						
	UNITS					
ELECTRICAL RATINGS						
POLE COMBINATION			DPDT	4PDT		
Contact Resistance	mΩ		100	100		
Dielectric Strength (Coil to Contact)	AC Volts (50/60 HZ - 1 Minute)		1500 V	1500 V		
Dielectric Strength (Between Contacts)	AC Volts (50/60 HZ - 1 Minute)		1000 V	1000 V		
Insulation Resistance (500 VDC)	MΩ [Min.]		100	100		
Max. Switching (ON/OFF) Mechanical	Oper./Min.		240	240		
Max. Switching (ON/OFF) Electrical	Oper./Min.		30	30		
Life Expectancy - Mechanical	Operations [Min]		10M	10M		
Life Expectancy - Elect (@120 V Resistive)	Operations [Min]		100K	100K		
Vibration: Endurance	1.0 mm (Double Amplitude)		10 ~ 55 Hz	10 ~ 55 Hz		
Vibration: Error Operation	1.0 mm (Double Amplitude)		10 ~ 55 Hz	10 ~ 55 Hz		
Shock: Endurance	G Min.		100	100		
Shock: Error Operation	G Min.		10	10		
Coil Operate Time (Pick-Up)	mSec (Max.)		25	25		
Coil Release Time (Drop Out)	mSec (Max.)		25	25		
Coil Temperature Rise (at rated voltage)	Deg C (Max.)		60	60		
CONTACT RATING						
Rated Carrying Current			5 A	5 A		
Max. Allowable Voltage			240 VAC 110 VDC	240 VAC 110 VDC		
Capacity: Resistive Load	P.F. = 1.0		240 VAC - 5 A 120 VAC - 5 A 28 VDC - 5 A	240 VAC - 5 A 120 VAC - 5 A 28 VDC - 5 A		
Inductive Loads	P.F. = 0.4 [L/R = 7 mSec.]		120 VAC - 2 A 28 VDC - 2 A	120 VAC - 3 A 28 VDC - 3 A		
Minimum Recommended Load			10 VDC - 10 mA	10 VDC - 10 mA		
COIL SPECIFICATIONS (@ 20° C) — (DPDT & 4PDT)						
NOMINAL COIL VOLTAGE (VOLTS)	Nominal Current (mA)	Coil Resistance (+/- 10% OHMS)	Power Consumption	Pick-Up Voltage	Drop-Out Voltage	Max. Allowed Voltage
24 VAC (@ 60 HZ)	45	186	1.0 ~ 1.3 VA	85% Max. Rated	30% Min. Rated	110% Rated
120 VAC (@ 60 HZ)	10	4,550	1.0 ~ 1.3 VA			
220/240 VAC (@ 60 HZ)	8.5	19,400	1.0 ~ 1.3 VA			
24 VDC	36.9	650	0.9 W	80% Max. Rated	10% Min. Rated	110% Rated
48 VDC	18.5	2,600	0.9 W			
110 VDC	10	13,500	0.9 W			
ENVIRONMENTAL/PHYSICAL PARAMETERS						
Operating Ambient Temperature	-25° to +55° C (-13° to +131° F) Assumes a DRY environment — Enclosed					
Operating Humidity	45% to 85% RH (Recommended)					
Unit Weight (2 and 4 Pole Relay)	35g (1.2oz.)					
Relay and Socket Dimensions	See outline drawings on pages 570 - 575					
MATERIALS & CONSTRUCTION						
Contacts	AgNi Alloy					
Plated Brass Terminations	Cadmium Free					
Solder Connections	Lead Free					
Moldings	Thermoplastic and Thermoset					
ROHS COMPLIANCE	For RoHS compliance documentation by product, refer to www.c3controls.com					

MINIATURE SQUARE BASE RELAYS w/BLADE TERMINALS

- SPDT and DPDT for control circuit application flexibility.
- 15A, SPDT and 10A, DPDT.
- 1/2HP @ 120V AC, 1/2HP @ 240V AC.
- AC and DC coils.
- Blade terminals (13/64") are interchangeable with other commonly available relays.
- Tape wound coils are marked with the coil voltage for easy identification.
- AgNi contacts, environmentally friendly - cadmium free.
- Small size requiring minimum panel space for lower installed cost.
- Optional mechanical actuator and indicating light (red for AC and green for DC) for checking the control circuit operation without energizing the relay and to easily determine the relay status.
- Terminal markings on the relay for easy reference during installation.
- Low coil consumption to minimize transformer and power supply requirements.
- cURus and CE for acceptance in global applications.
- Transparent housing to visually monitor switching operations and contact condition.
- 100% tested to ensure performance to specification.

IT'S EASY TO BUILD YOUR OWN RELAY

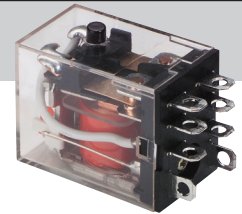
Simply pick the code number from each of the sections below and combine them to build your part number.

Miniature Square Base Relay w/Blade Terminals

GPRM-B -

I II III IV

Example: To build one of our most popular Relays, the part number would be **GPRM-B + II + III + IV** or **GPRM-B2C10D-3**



I. RELAY TYPE

CODE	DESCRIPTION	LIST
GPRM-B	General Purpose Relay w/Blade	\$11.00

II. POLES & CURRENT RATING

CODE	DESCRIPTION	LIST
1C15	SPDT, 15A (5 Blade)	—
2C10	DPDT, 10A (8 Blade)	\$ 1.60

III. COIL VOLTAGES

CODE	DESCRIPTION
C	24V AC
D	120V AC
E	220-240V AC
ZC	24V DC
ZJ	48V DC
ZD	110V DC

IV. ACTUATOR OPTIONS

CODE	DESCRIPTION	LIST
(Blank)	No Light & Mechanical Actuator	—
3	Light & Mechanical Actuator	\$ 2.00

Relays available in convenient multi-packs, consult factory for details.

NOTE: See page 559 for 4-Pole Miniature Relay.

COMPATIBLE SOCKETS

RELAY TYPE	COMPATIBLE SOCKETS
GPRM-B1C15**	GPRA-SB08G1 with IP20 Guarded Terminals or
GPRM-B2C10**	GPRA-SB08U1 with Open Style Terminals

NOTE: **Represents the Coil Voltage Code. Refer to Chart III *Coil Voltage* above.

See page 568 for socket information.



MINIATURE SQUARE BASE RELAYS WITH BLADE TERMINALS						
	UNITS					
ELECTRICAL RATINGS						
POLE COMBINATION			SPDT	DPDT		
Contact Resistance	mΩ		100	100		
Dielectric Strength (Coil to Contact)	AC Volts (50/60 HZ - 1 Minute)		1500 V	1500 V		
Dielectric Strength (Between Contacts)	AC Volts (50/60 HZ - 1 Minute)		1000 V	1000 V		
Insulation Resistance (500 VDC)	MΩ [Min.]		100	100		
Max. Switching (ON/OFF) Mechanical	Oper./Min.		240	240		
Max. Switching (ON/OFF) Electrical	Oper./Min.		30	30		
Life Expectancy - Mechanical	Operations [Min]		10M	10M		
Life Expectancy - Elect (@ Rating)	Operations [Min]		100K	100K		
Vibration: Endurance	1.0 mm (Double Amplitude)		10 ~ 55 Hz	10 ~ 55 Hz		
Vibration: Error Operation	1.0 mm (Double Amplitude)		10 ~ 55 Hz	10 ~ 55 Hz		
Shock: Endurance	G Min.		100	100		
Shock: Error Operation	G Min.		10	10		
Coil Operate Time (Pick-Up)	mSec (Max.)		25	25		
Coil Release Time (Drop Out)	mSec (Max.)		25	25		
Coil Temperature Rise (at rated voltage)	Deg C (Max.)		60	60		
CONTACT RATING						
Rated Carrying Current			15 A	10 A		
Max. Allowable Voltage			240 VAC 110 VDC	240 VAC 120 VDC		
Capacity: Resistive Load	P.F. = 1.0		240 VAC - 15 A 120 VAC - 15 A 28 VDC - 15 A	240 VAC - 10 A 120 VAC - 10 A 28 VDC - 10 A		
Inductive Loads	P.F. = 0.4 [L/R = 7 mSec.]		28 VDC - 7 A	28 VDC - 5 A		
Motor Loads	120 VAC 240 VAC		1/2 HP 1/2 HP	1/2 HP 1/2 HP		
Minimum Recommended Load			10 VDC - 10 mA	10 VDC - 10 mA		
COIL SPECIFICATIONS (@ 20° C) — (SPDT & DPDT)						
NOMINAL COIL VOLTAGE (VOLTS)	Nominal Current (mA)	Coil Resistance (+/- 10% OHMS)	Power Consumption	Pick-Up Voltage	Drop-Out Voltage	Max. Allowed Voltage
24 VAC (@ 60 HZ)	45	160	1.0 ~ 1.3 VA	80% Max. Rated	30% Min. Rated	110% Rated
120 VAC (@ 60 HZ)	11.5	3,400	1.0 ~ 1.3 VA			
220/240 VAC (@ 60 HZ)	5	13,600	1.0 ~ 1.3 VA			
24 VDC	36.9	650	0.9 W	80% Max. Rated	10% Min. Rated	110% Rated
48 VDC	18.5	2,600	0.9 W			
110 VDC	10	11,000	0.9 W			
ENVIRONMENTAL/PHYSICAL PARAMETERS						
Operating Ambient Temperature	-25° to +55° C (-13° to +131° F) Assumes a DRY environment — Enclosed					
Operating Humidity	45% to 85% RH (Recommended)					
Unit Weight (1 ~ 2 Pole Relay)	35g (1.2oz.)					
Relay and Socket Dimensions	See outline drawings on pages 570 - 575					
MATERIALS & CONSTRUCTION						
Contacts	AgNi Alloy					
Plated Brass Terminations	Cadmium Free					
Solder Connections	Lead Free					
Moldings	Thermoplastic and Thermoset					
ROHS COMPLIANCE	For RoHS compliance documentation by product, refer to www.c3controls.com					

MINIATURE SQUARE BASE RELAYS w/BLADE TERMINALS

- 4PDT for control circuit application flexibility.
- 10A, 4PDT.
- 1/2HP @ 120V AC, 1/2HP @ 240V AC.
- AC and DC coils.
- Blade terminals (13/64") are interchangeable with other commonly available relays.
- Tape wound coils are marked with the coil voltage for easy identification.
- AgNi contacts, environmentally friendly - cadmium free.
- Small size requiring minimum panel space for lower installed cost.
- Terminal markings on the relay for easy reference during installation.
- Mechanical actuator and indicating light (red for AC and green for DC), provided as standard, for checking the control circuit operation without energizing the relay and to easily determine the relay status.
- Low coil consumption to minimize transformer and power supply requirements.
- cURus and CE for acceptance in global applications.
- Transparent housing to visually monitor switching operations and contact condition.
- Writable marking label allows for fast and easy circuit identification.
- 100% tested to ensure performance to specification.

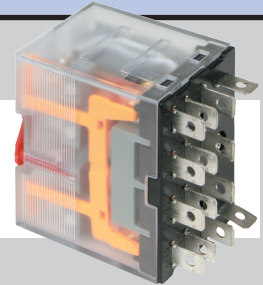
IT'S EASY TO BUILD YOUR OWN RELAY

Simply pick the code number from each of the sections below and combine them to build your part number.

Miniature Square Base Relay w/Blade Terminals

GPRM- B4C10 - **III** - **IV**
I II III IV

Example: To build one of our most popular Relays, the part number would be **GPRM-B + 4C10 + III + IV** or **GPRM-B4C10ZC-3**



I. RELAY TYPE

CODE	DESCRIPTION	LIST
GPRM-B	General Purpose Relay w/Blade	\$ 16.00

II. POLES & CURRENT RATING

CODE	DESCRIPTION
4C10	4PDT, 10A (14 Blade)

III. COIL VOLTAGES

CODE	DESCRIPTION
C	24V AC
D	120V AC
E	220-240V AC
ZC	24V DC
ZJ	48V DC
ZD	110V DC

IV. ACTUATOR

CODE	DESCRIPTION	LIST
3	Light & Mechanical Actuator (Included)	\$ 2.00

Relays available in convenient multi-packs, consult factory for details.

NOTE: See page 557 for 1- and 2-Pole Miniature Relays.

COMPATIBLE SOCKETS

RELAY TYPE	COMPATIBLE SOCKETS
GPRM-B4C10**	GPRA-SB14U2 with Open Style Terminals

NOTE: **Represents the Coil Voltage Code. Refer to Chart III *Coil Voltage* above.
See page 569 for socket information.



MINIATURE SQUARE BASE RELAYS WITH BLADE TERMINALS						
	UNITS					
ELECTRICAL RATINGS						
POLE COMBINATION			4PDT			
Contact Resistance	mΩ			100		
Dielectric Strength (Coil to Contact)	AC Volts (50/60 HZ - 1 Minute)			1500 V		
Dielectric Strength (Between Contacts)	AC Volts (50/60 HZ - 1 Minute)			1000 V		
Insulation Resistance (500 VDC)	MΩ [Min.]			100		
Max. Switching (ON/OFF) Mechanical	Oper./Min.			240		
Max. Switching (ON/OFF) Electrical	Oper./Min.			30		
Life Expectancy - Mechanical	Operations [Min]			10M		
Life Expectancy - Elect (@ Rating)	Operations [Min]			100K		
Vibration: Endurance	1.0 mm (Double Amplitude)			10 ~ 55 Hz		
Vibration: Error Operation	1.0 mm (Double Amplitude)			10 ~ 55 Hz		
Shock: Endurance	G Min.			100		
Shock: Error Operation	G Min.			10		
Coil Operate Time (Pick-Up)	mSec (Max.)			25		
Coil Release Time (Drop Out)	mSec (Max.)			25		
Coil Temperature Rise (at rated voltage)	Deg C (Max.)			60		
CONTACT RATING						
Rated Carrying Current				10 A		
Max. Allowable Voltage				240 VAC 110 VDC		
Capacity: Resistive Load	P.F. = 1.0			240 VAC - 10 A 120 VAC - 10 A 28 VDC - 10 A		
Inductive Loads	P.F. = 0.4 [L/R = 7 mSec.]			28 VDC - 5 A		
Motor Loads	120 VAC 240 VAC			1/3 HP 1/2 HP		
Minimum Recommended Load				10 VDC - 10 mA		
COIL SPECIFICATIONS (@ 20° C) — (4PDT)						
NOMINAL COIL VOLTAGE (VOLTS)	Nominal Current (mA)	Coil Resistance (+/- 10% OHMS)	Power Consumption	Pick-Up Voltage	Drop-Out Voltage	Max. Allowed Voltage
24 VAC (@ 60 HZ)	93.6 (50Hz) ~ 80 (60Hz)	78	1.9 ~ 2.5 VA	85% Max. Rated	30% Min. Rated	110% Rated
120 VAC (@ 60 HZ)	24.5 (50Hz) ~ 21 (60Hz)	1,600	1.9 ~ 2.5 VA			
220/240 VAC (@ 60 HZ)	13.1 (50Hz) ~ 11.2 (60Hz)	6,700	1.9 ~ 2.5 VA			
24 VDC	69	350	1.5 W	80% Max. Rated	10% Min. Rated	110% Rated
48 VDC	30	1,600	1.5 W			
110 VDC	15.9	6,900	1.5 W			
ENVIRONMENTAL/PHYSICAL PARAMETERS						
Operating Ambient Temperature	-25° to +55° C (-13° to +131° F) Assumes a DRY environment — Enclosed					
Operating Humidity	45% to 85% RH (Recommended)					
Unit Weight (4 Pole Relay)	35g (1.2oz.)					
Relay and Socket Dimensions	See outline drawings on pages 570 - 575					
MATERIALS & CONSTRUCTION						
Contacts	AgNi Alloy					
Plated Brass Terminations	Cadmium Free					
Solder Connections	Lead Free					
Moldings	Thermoplastic and Thermoset					
ROHS COMPLIANCE	For RoHS compliance documentation by product, refer to www.c3controls.com					

MINIATURE SLIM LINE SQUARE BASE RELAYS w/BLADE TERMINALS

- 12A, SPDT.
- 1/3 HP @ 120V AC, 1/2HP @ 240V AC.
- Small size requiring minimum panel space for lower installed costs. Relay is only 14mm (35/64") wide!
- AC and DC coils.
- Blade terminals (13/64") are interchangeable with other commonly available relays.
- Tape wound coils are marked with the coil voltage for easy identification.
- AgNi contacts, environmentally friendly – cadmium free.
- Optional mechanical actuator and indicating light (red for AC and green for DC) for checking the control circuit operation without energizing the relay and to easily determine the relay status.
- Terminal markings and schematic on the relay for easy reference during installation.
- Low coil consumption to minimize transformer and power supply requirements.
- cURus and CE for acceptance in global applications.
- Transparent housing to visually monitor switching operations and contact condition.
- 100% tested to ensure performance to specification.

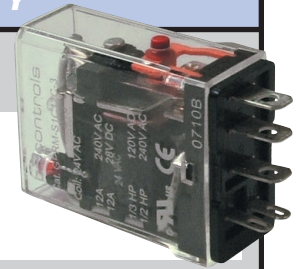
IT'S EASY TO BUILD YOUR OWN RELAY

Simply pick the code number from each of the sections below and combine them to build your part number.

Miniature Slim Line Square Base Relay w/Blade Terminals

GPRM-S **1C12** **III** - **IV**

Example: To build one of our most popular Relays, the part number would be **GPRM-S + 1C12 + III + IV** or **GPRM-S1C12C-3**



I. RELAY TYPE

CODE	DESCRIPTION	LIST
GPRM-S	General Purpose Relay w/Blade	\$11.00

II. POLES & CURRENT RATING

CODE	DESCRIPTION
1C12	SPDT, 12A (5 Blade)

III. COIL VOLTAGES

CODE	DESCRIPTION
C	24V AC
D	120V AC
F	240V AC
ZB	12V DC
ZC	24V DC

IV. ACTUATOR OPTIONS

CODE	DESCRIPTION	LIST
(Blank)	No Light & Mechanical Actuator	—
3	Light & Mechanical Actuator	\$ 2.00

Relays available in convenient multi-packs, consult factory for details.

COMPATIBLE SOCKETS

RELAY TYPE	COMPATIBLE SOCKETS
GPRM-S1C12**	GPRA-SB05G1 with IP20 Guarded Terminals

NOTE: **Represents the Coil Voltage Code. Refer to Chart III *Coil Voltage* above.
See page 568 for socket information.



MINIATURE SLIM LINE SQUARE BASE RELAYS WITH BLADE TERMINALS						
	UNITS					
ELECTRICAL RATINGS						
POLE COMBINATION			SPDT			
Contact Resistance	mΩ		50			
Dielectric Strength (Coil to Contact)	AC Volts (50/60 HZ - 1 Minute)		2000 V			
Dielectric Strength (Between Contacts)	AC Volts (50/60 HZ - 1 Minute)		1000 V			
Insulation Resistance (500 VDC)	MΩ [Min.]		100			
Max. Switching (ON/OFF) Mechanical	Oper./Min.		240			
Max. Switching (ON/OFF) Electrical	Oper./Min.		30			
Life Expectancy - Mechanical	Operations [Min]		50M			
Life Expectancy - Elect (@ 120 V Rating)	Operations [Min]		500K			
Vibration: Endurance	1.0 mm (Double Amplitude)		10 ~ 55 Hz			
Vibration: Error Operation	1.0 mm (Double Amplitude)		10 ~ 55 Hz			
Shock: Endurance	G Min.		100			
Shock: Error Operation	G Min.		10			
Coil Operate Time (Pick-Up)	mSec (Max.)		20			
Coil Release Time (Drop Out)	mSec (Max.)		20			
Coil Temperature Rise (at rated voltage)	Deg C (Max.)		85			
CONTACT RATING						
Rated Carrying Current			12 A			
Max. Allowable Voltage			240 VAC 110 VDC			
Capacity: Resistive Load	P.F. = 1.0		240 VAC - 12 A 24 VDC - 12 A			
Inductive Loads	P.F. = 0.4 [L/R = 7 mSec.]		240 VAC - 7 A 24 VDC - 7 A			
Minimum Recommended Load			10 VDC - 10 mA			
COIL SPECIFICATIONS (@ 20° C) — (SPDT)						
NOMINAL COIL VOLTAGE (VOLTS)	Nominal Current (mA)	Coil Resistance (+/- 10% OHMS)	Power Consumption	Pick-Up Voltage	Drop-Out Voltage	Max. Allowed Voltage
24 VAC (@ 60 HZ)	72	180	1.7 VA	85% Max. Rated	30% Min. Rated	110% Rated
120 VAC (@ 60 HZ)	14	4,300	1.7 VA			
240 VAC (@ 60 HZ)	7	15,720	1.7 VA			
12 VDC	64	188	0.8 W	80% Max. Rated	10% Min. Rated	110% Rated
24 VDC	32	750	0.8 W			
ENVIRONMENTAL/PHYSICAL PARAMETERS						
Operating Ambient Temperature	-30° to +70° C (-22° to +158° F) Assumes a DRY environment — Enclosed					
Operating Humidity	45% to 85% RH (Recommended)					
Unit Weight	24g (0.9oz.)					
Relay and Socket Dimensions	See outline drawings on pages 570 - 575					
MATERIALS & CONSTRUCTION						
Contacts	AgNi Alloy					
Plated Brass Terminations	Cadmium Free					
Solder Connections	Lead Free					
Moldings	Thermoplastic and Thermoset					
ROHS COMPLIANCE	For RoHS compliance documentation by product, refer to www.c3controls.com					

HERMETICALLY SEALED OCTAL BASE RELAYS w/PIN TERMINALS

- 12A, DPDT and 12A, 3PDT, for control circuit application flexibility.
- 1/3 HP @ 120V AC, 1/2 HP @ 240V AC.
- AC and DC coils.
- Temperature Code - T4A.
- Suitable for use in Class 1, Division 2 Group A, B, C and D, and Zone 2, Group IIA, IIB and IIC Hazardous Locations.
- Hermetically sealed metal enclosure.
- Vacuum baked and dry nitrogen filled - removes contaminants and provides a clean and dry atmosphere for contacts.
- Plug-in style, uses standard sockets (see page 567).
- Schematic diagram and terminal markings on the relay for easy reference during installation.
- Low coil consumption to minimize transformer and power supply requirements.
- 100% tested to ensure performance to specifications.
- cURus and CSA.

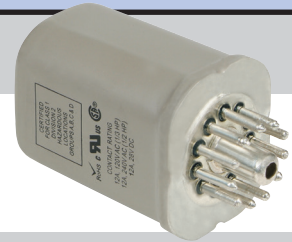
IT'S EASY TO BUILD YOUR OWN RELAY

Simply pick the code number from each of the sections below and combine them to build your part number.

Hermetically Sealed Octal Base Relay w/Pin Terminals

HGPRS-P
/ // ///

Example: To build one of our most popular Relays, the part number would be **HGPRS-P + II + III** or **HGPRS-P3C10ZC**.



I. RELAY TYPE

CODE	DESCRIPTION	LIST
HGPRS-P	Hermetically Sealed Relay w/Pin	\$108.00

II. POLES & CURRENT RATING

CODE	DESCRIPTION	LIST
2C12	DPDT, 12A (8 Pin)	—
3C10	3PDT, 12A (11 Pin)	\$ 4.00

III. COIL VOLTAGES

CODE	DESCRIPTION
C	24V AC
D	120V AC
F	240V AC
ZB	12V DC
ZC	24V DC
ZD	110V DC

COMPATIBLE SOCKETS

RELAY TYPE	COMPATIBLE SOCKETS
HGPRS-P2C12*	GPRA-SP08G1 with IP20 Guarded Terminals GPRA-SP08U1 with Open Style Terminals
HGPRS-P3C10*	GPRA-SP11G1 with IP20 Guarded Terminals GPRA-SP11U1 with Open Style Terminals

NOTE: **Represents the Coil Voltage Code. Refer to Chart III *Coil Voltage* above.
See page 567 for socket information.



HERMETICALLY SEALED OCTAL BASE RELAYS WITH PIN TERMINALS

	UNITS				
ELECTRICAL RATINGS					
POLE COMBINATION					
			DPDT	3PDT	
Dielectric Strength (Coil to Contact)	AC Volts (50/60 HZ - 1 Minute)		1250 V	1250 V	
Dielectric Strength (Between Contacts)	AC Volts (50/60 HZ - 1 Minute)		1250 V	1250 V	
Insulation Resistance (500 VDC)	MΩ [Min.]		100	100	
Max. Switching (ON/OFF) Electrical	Oper./Min.		6	6	
Life Expectancy - Mechanical	Operations [Min]		5M	5M	
Life Expectancy - Elect (@120 V Resistive)	Operations [Min]		100K	100K	
Vibration: Endurance	1.0 mm (Double Amplitude)		10 ~ 55 Hz	10 ~ 55 Hz	
	G Min.		3	3	
Shock:	Mechanical		10 G	10 G	
Coil Operate Time (Pick-Up)	mSec (Max.)		15	15	
Coil Release Time (Drop Out)	mSec (Max.)		10	10	
CONTACT RATING					
Rated Carrying Current			12 A	12 A	
Max. Allowable Voltage			240 VAC 28 VDC	240 VAC 28 VDC	
Capacity: Resistive Load	P.F. = 1.0		240 VAC - 8 A 120 VAC - 12 A 28 VDC - 10 A	240 VAC - 6 A 120 VAC - 10 A 28 VDC - 10 A	
Inductive Loads	P.F. = 0.4 [L/R = 7 mSec.]		240 VAC - 6 A 120 VAC - 9 A 28 VDC - 7 A	240 VAC - 4 A 120 VAC - 7 A 28 VDC - 7 A	
Motor Loads	120 VAC 240 VAC		1/3 HP 1/2 HP	1/3 HP 1/2 HP	
Minimum Recommended Load	Switching [0.5 watts]		100 mA @ 5 VDC	100 mA @ 5 VDC	
COIL SPECIFICATIONS (@ 25° C (77° F)) — (DPDT)					
Temperature Code	T4A				
NOMINAL COIL VOLTAGE (VOLTS)	Coil Resistance (+/- 10% OHMS)	Power Consumption	Pick-Up Voltage	Drop-Out Voltage	Max. Allowed Voltage
24 VAC (@ 60 HZ)	72	1.2 VA	85% Max. Rated	15% Min. Rated	110% Rated
120 VAC (@ 60 HZ)	1,700	1.2 VA			
240 VAC (@ 60 HZ)	7,200	1.2 VA			
12 VDC	120	0.9 W	80% Max. Rated	10% Min. Rated	110% Rated
24 VDC	470	0.9 W			
110 VDC	10,000	0.9 W			
COIL SPECIFICATIONS (@ 25° C (77° F)) — (3PDT)					
Temperature Code	T4A				
NOMINAL COIL VOLTAGE (VOLTS)	Coil Resistance (+/- 10% OHMS)	Power Consumption	Pick-Up Voltage	Drop-Out Voltage	Max. Allowed Voltage
24 VAC (@ 60 HZ)	72	2 VA	85% Max. Rated	15% Min. Rated	110% Rated
120 VAC (@ 60 HZ)	1,700	2 VA			
240 VAC (@ 60 HZ)	7,200	2 VA			
12 VDC	120	1.2 W	80% Max. Rated	10% Min. Rated	110% Rated
24 VDC	470	1.2 W			
110 VDC	10,000	1.2 W			
ENVIRONMENTAL/PHYSICAL PARAMETERS					
Operating Ambient Temperature Assumes a DRY environment — Enclosed	AC Operated: -40° to +55° C (-49° to +131° F) DC Operated: -45° to +55° C (-49° to +131° F)				
Operating Humidity	35% to 85% RH (Recommended)				
Unit Weight (2 ~ 3 Pole Relay)	130g (4.6 oz.)				
Relay and Socket Dimensions	See outline drawings on pages 570 - 575				
MATERIALS & CONSTRUCTION					
Contacts	Ag Alloy				
Plated Terminations	Cadmium Free				
Solder Connections	Lead Free				
Moldings	Thermoplastic and Thermoset – Rated UL-94V0				
Protective Covering	Steel with baked enamel finish				
ROHS COMPLIANCE	For RoHS compliance documentation by product, refer to www.c3controls.com				

HERMETICALLY SEALED MINIATURE SQUARE BASE RELAYS W/BLADE TERMINALS

- 5A, 4PDT for control circuit application flexibility.
- AC and DC coils.
- Suitable for use in Class 1, Division 2 Group A, B, C and D, and Zone 2, Group IIA, IIB and IIC Hazardous Locations.
- Temperature Code - T4A.
- Hermetically sealed metal enclosure.
- Vacuum baked and dry nitrogen filled - removes contaminants and provides a clean and dry atmosphere for contacts.
- Plug-in style, uses standard sockets (see page 569).
- Schematic diagram and terminal markings on the relay for easy reference during installation.
- Low coil consumption to minimize transformer and power supply requirements.
- cURus, CSA and CE for acceptance in global applications.
- 100% tested to ensure performance to specifications.

IT'S EASY TO BUILD YOUR OWN RELAY

Simply pick the code number from each of the sections below and combine them to build your part number.

Hermetically Sealed Miniature Square Base Relay w/Blade Terminals

HGPRM-B 4C05

/ // ///

Example: To build one of our most popular Relays, the part number would be **HGPRM-B + 4C05 + III** or **HGPRM-B4C05ZC**



I. RELAY TYPE

CODE	DESCRIPTION	LIST
HGPRM-B	Hermetically Sealed Relay w/Blade	\$72.00

II. POLES & CURRENT RATING

CODE	DESCRIPTION
4C05	4PDT, 5A (14 Blade)

III. COIL VOLTAGES

CODE	DESCRIPTION
C	24V AC
D	120V AC
F	240V AC
ZB	12V DC
ZC	24V DC
ZD	110V DC

We recommend that hermetically sealed miniature square base relays be used in conjunction with retainer clip GPRA-RC4 (see page 569).

COMPATIBLE SOCKETS

RELAY TYPE	COMPATIBLE SOCKETS
HGPRM-B4C05**	GPRA-SB14U1 with Open Style Terminals

NOTE: **Represents the Coil Voltage Code. Refer to Chart III *Coil Voltage* above.
See page 569 for socket information.

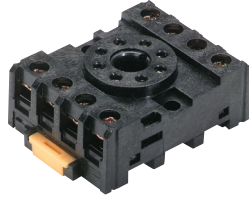


HERMETICALLY SEALED MINIATURE SQUARE BASE RELAYS WITH BLADE TERMINALS					
	UNITS				
ELECTRICAL RATINGS					
POLE COMBINATION			4PDT		
Dielectric Strength (Coil to Contact)	AC Volts (50/60 HZ - 1 Minute)		1240 V		
Dielectric Strength (Between Contacts)	AC Volts (50/60 HZ - 1 Minute)		500 V		
Insulation Resistance (500 VDC)	MΩ [Min.]		100		
Max. Switching (ON/OFF) Mechanical	Oper./Min.		30		
Max. Switching (ON/OFF) Electrical	Oper./Min.		6		
Life Expectancy - Mechanical	Operations [Min]		10M		
Life Expectancy - Elect (@120 V Resistive)	Operations [Min]		100K		
Vibration: Endurance	1.0 mm (Double Amplitude)		10 ~ 55 Hz		
	G Min.		3		
Shock	Functional		10 G		
Coil Operate Time (Pick-Up)	mSec (Max.)		13		
Coil Release Time (Drop Out)	mSec (Max.)		6		
CONTACT RATING					
Rated Carrying Current			5 A		
Max. Allowable Voltage			240 VAC 30 VDC		
Capacity: Resistive Load	P.F. = 1.0		240 VAC - 5 A 120 VAC - 5 A 30 VDC - 5 A		
Inductive Loads	P.F. = 0.4 [L/R = 7 mSec.]		240 VAC - 3 A 120 VAC - 3 A 30 VDC - 2 A		
Minimum Recommended Load	Switching [AC/DC]		100 mA @ 5 VDC		
COIL SPECIFICATIONS (@ 25° C (77° F)) — (4PDT)					
Temperature Code	T4A				
NOMINAL COIL VOLTAGE (VOLTS)	Coil Resistance (+/- 10% OHMS)	Power Consumption	Pick-Up Voltage	Drop-Out Voltage	Max. Allowed Voltage
24 VAC (@ 60 HZ)	180	1.2 VA	85% Max. Rated	15% Min. Rated	110% Rated
120 VAC (@ 60 HZ)	4,430	1.2 VA			
240 VAC (@ 60 HZ)	15,720	1.2 VA			
12 VDC	160	0.9 W	80% Max. Rated	10% Min. Rated	110% Rated
24 VDC	650	0.9 W			
110 VDC	13,800	0.9 W			
ENVIRONMENTAL/PHYSICAL PARAMETERS					
Operating Ambient Temperature	-40° to +70° C (-49° to +158° F) Assumes a DRY environment — Enclosed				
Operating Humidity	35% to 85% RH (Recommended)				
Unit Weight (4 Pole Relay)	45g (1.6 oz.)				
Relay and Socket Dimensions	See outline drawings on pages 570 - 575				
MATERIALS & CONSTRUCTION					
Contacts	Ag Alloy				
Plated Terminations	Cadmium Free				
Solder Connections	Lead Free				
Moldings	Thermoplastic and Thermoset – Rated UL-94V0				
Protective Covering	Steel with baked enamel finish				
ROHS COMPLIANCE	For RoHS compliance documentation by product, refer to www.c3controls.com				

GENERAL PURPOSE PIN & BLADE RELAY SOCKETS

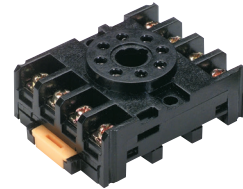
- DIN rail mounting for fast and easy installation.
- IP20 guarded terminals to prevent accidental contact with live parts.
- Combination head (+/-) terminal screws accept straight, phillips, or pozidrive screwdrivers.
- cURus and CE for acceptance in global applications.
- Open style terminals to accept ring tongue terminals.
- Panel mounting for secure installation in high vibration and shock installations.
- Break resistant polycarbonate or glass-filled nylon.

8 & 11 PIN GUARDED & UNGUARDED SOCKETS



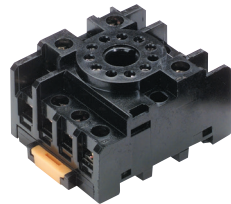
8 PIN GUARDED, 10A

CODE	DESCRIPTION	LIST
GPRa-SP08G1	8 Pin Guarded	\$6.00
SPECIFICATIONS:		
TYPE: Surface or DIN Rail Mount		
CURRENT CARRYING MEMBERS: Phosphor Bronze Nickel Plated Steel		
TERMINALS: IP20, Screw w/captive wire clamps		
RECOMMENDED TORQUE: 7-10 lb-in. [.8-1.1 Nm]		
ELECTRICAL RATING: 10A, 600V AC		
ROHS COMPLIANCE: For documentation by product, refer to www.c3controls.com.		
FOR USE WITH:		
GENERAL PURPOSE RELAY: GPRS-P2C10** and HGPRS-P2C12**		
NOTE: **Represents the Coil Voltage Code. For Coil Voltage Codes refer to pages 547 and 563.		
RETAINER CLIP: GPRa-RC3		



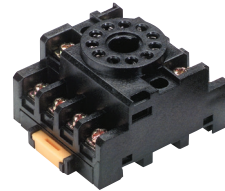
8 PIN UNGUARDED, 10A

CODE	DESCRIPTION	LIST
GPRa-SP08U1	8 Pin Unguarded	\$6.00
SPECIFICATIONS:		
TYPE: Surface or DIN Rail Mount		
CURRENT CARRYING MEMBERS: Phosphor Bronze Nickel Plated Steel		
TERMINALS: Open style, Screw w/captive wire clamps.		
RECOMMENDED TORQUE: 7-10 lb-in. [.8-1.1 Nm]		
ELECTRICAL RATING: 10A, 600V AC		
ROHS COMPLIANCE: For documentation by product, refer to www.c3controls.com.		
FOR USE WITH:		
GENERAL PURPOSE RELAY: GPRS-P2C10** and HGPRS-P2C12**		
NOTE: **Represents the Coil Voltage Code. For Coil Voltage Codes refer to pages 547 and 563.		
RETAINER CLIP: GPRa-RC3		



11 PIN GUARDED, 10A

CODE	DESCRIPTION	LIST
GPRa-SP11G1	11 Pin Guarded	\$6.00
SPECIFICATIONS:		
TYPE: Surface or DIN Rail Mount		
CURRENT CARRYING MEMBERS: Phosphor Bronze Nickel Plated Steel		
TERMINALS: IP20, Screw w/captive wire clamps		
RECOMMENDED TORQUE: 7-10 lb-in. [.8-1.1 Nm]		
ELECTRICAL RATING: 10A, 600V AC		
ROHS COMPLIANCE: For documentation by product, refer to www.c3controls.com.		
FOR USE WITH:		
GENERAL PURPOSE RELAY: GPRS-P3C10** and HGPRS-P3C10**		
NOTE: **Represents the Coil Voltage Code. For Coil Voltage Codes refer to pages 547 and 563.		
RETAINER CLIP: GPRa-RC3		



11 PIN UNGUARDED, 10A

CODE	DESCRIPTION	LIST
GPRa-SP11U1	11 Pin Unguarded	\$6.00
SPECIFICATIONS:		
TYPE: Surface or DIN Rail Mount		
CURRENT CARRYING MEMBERS: Phosphor Bronze Nickel Plated Steel		
TERMINALS: Open style, Screw w/captive wire clamps.		
RECOMMENDED TORQUE: 7-10 lb-in. [.8-1.1 Nm]		
ELECTRICAL RATING: 10A, 600V AC		
ROHS COMPLIANCE: For documentation by product, refer to www.c3controls.com.		
FOR USE WITH:		
GENERAL PURPOSE RELAY: GPRS-P3C10** and HGPRS-P3C10**		
NOTE: **Represents the Coil Voltage Code. For Coil Voltage Codes refer to pages 547 and 563.		
RETAINER CLIP: GPRa-RC3		



5, 8 & 11 BLADE GUARDED & UNGUARDED SOCKETS



MINIATURE 5 BLADE GUARDED, 15A

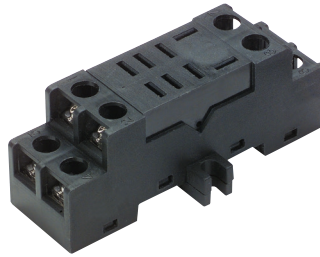
CODE	DESCRIPTION	LIST
GPRB-SB05G1	Mini 5 Blade Guarded	\$6.00

SPECIFICATIONS:

TYPE: Surface or DIN Rail Mount
 CURRENT CARRYING MEMBERS:
 Phosphor Bronze Nickel Plated Steel
 TERMINALS: IP20, Screw w/captive wire clamps
 RECOMMENDED TORQUE: 7-10 lb-in. [.8-1.1 Nm]
 ELECTRICAL RATING: 15A, 300V AC
 ROHS COMPLIANCE: For documentation by product, refer to www.c3controls.com.

FOR USE WITH:

GENERAL PURPOSE RELAY: GPRM-S1C12**
 NOTE: **Represents the Coil Voltage Code. For Coil Voltage Codes refer to page 561.
 RETAINER CLIP: GPRB-RC4



MINIATURE 8 BLADE GUARDED, 15A

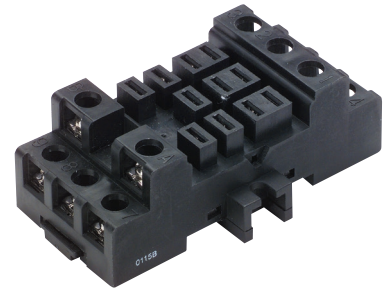
CODE	DESCRIPTION	LIST
GPRB-SB08G1	Mini 8 Blade Guarded	\$6.00

SPECIFICATIONS:

TYPE: Surface or DIN Rail Mount
 CURRENT CARRYING MEMBERS:
 Phosphor Bronze Nickel Plated Steel
 TERMINALS: IP20, Screw w/captive wire clamps
 RECOMMENDED TORQUE: 7-10 lb-in. [.8-1.1 Nm]
 ELECTRICAL RATING: 15A, 300V AC
 ROHS COMPLIANCE: For documentation by product, refer to www.c3controls.com.

FOR USE WITH:

GENERAL PURPOSE RELAY: GPRM-B1C15** and GPRM-B2C10**
 NOTE: **Represents the Coil Voltage Code. For Coil Voltage Codes refer to page 557.
 RETAINER CLIP: GPRB-RC2



11 BLADE GUARDED, 20/25A

CODE	DESCRIPTION	LIST
GPRB-SB11G1	11 Blade Guarded	\$9.00

SPECIFICATIONS:

TYPE: Surface or DIN Rail Mount
 CURRENT CARRYING MEMBERS:
 Phosphor Bronze Nickel Plated Steel
 TERMINALS: IP20, Screw w/captive wire clamps
 RECOMMENDED TORQUE: 7-10 lb-in. [.8-1.1 Nm]
 ELECTRICAL RATING: DPDT: 25A, 300V AC and 3PDT: 20A, 300V AC
 ROHS COMPLIANCE: For documentation by product, refer to www.c3controls.com.

FOR USE WITH:

GENERAL PURPOSE RELAY: GPRS-B2C13**, GPRS-B2C25**, GPRS-B3C13** and GPRS-B3C20**
 NOTE: **Represents the Coil Voltage Code. For Coil Voltage Codes refer to pages 549 and 551.
 RETAINER CLIP: GPRB-RC1



MINIATURE 8 BLADE UNGUARDED, 15A

CODE	DESCRIPTION	LIST
GPRB-SB08U1	Mini 8 Blade Unguarded	\$6.00

SPECIFICATIONS:

TYPE: Surface or DIN Rail Mount
 CURRENT CARRYING MEMBERS:
 Phosphor Bronze Nickel Plated Steel
 TERMINALS: Open style, Screw w/captive wire clamps
 RECOMMENDED TORQUE: 7-10 lb-in. [.8-1.1 Nm]
 ELECTRICAL RATING: 15A, 300V AC
 ROHS COMPLIANCE: For documentation by product, refer to www.c3controls.com.

FOR USE WITH:

GENERAL PURPOSE RELAY: GPRM-B1C15** and GPRM-B2C10**
 NOTE: **Represents the Coil Voltage Code. For Coil Voltage Codes refer to page 557.
 RETAINER CLIP: GPRB-RC2



11 BLADE UNGUARDED, 20/25A

CODE	DESCRIPTION	LIST
GPRB-SB11U1	11 Blade Unguarded	\$9.00

SPECIFICATIONS:

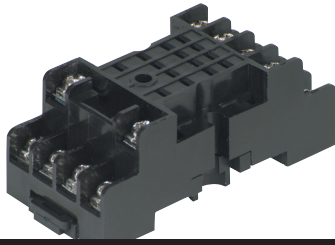
TYPE: Surface or DIN Rail Mount
 CURRENT CARRYING MEMBERS:
 Phosphor Bronze Nickel Plated Steel
 TERMINALS: Open style, Screw w/captive wire clamps
 RECOMMENDED TORQUE: 7-10 lb-in. [.8-1.1 Nm]
 ELECTRICAL RATING: DPDT: 25A, 300V AC and 3PDT: 20A, 300V AC
 ROHS COMPLIANCE: For documentation by product, refer to www.c3controls.com.

FOR USE WITH:

GENERAL PURPOSE RELAY: GPRS-B2C13**, GPRS-B2C25**, GPRS-B3C13** and GPRS-B3C20**
 NOTE: **Represents the Coil Voltage Code. For Coil Voltage Codes refer to pages 549 and 551.
 RETAINER CLIP: GPRB-RC1



14 BLADE UNGUARDED SOCKETS



MINIATURE 14 BLADE UNGUARDED, 7A

CODE	DESCRIPTION	LIST
GPR-SB14U1	Mini 14 Blade Unguarded	\$9.00

SPECIFICATIONS:

TYPE: Surface or DIN Rail Mount
 CURRENT CARRYING MEMBERS:
 Phosphor Bronze Nickel Plated Steel
 TERMINALS: Open style, Screw w/captive wire clamps
 RECOMMENDED TORQUE: 7-10 lb-in. [.8-1.1 Nm]
 ELECTRICAL RATING: 7A, 300V AC
 ROHS COMPLIANCE: For documentation by product, refer to www.c3controls.com.

FOR USE WITH:

GENERAL PURPOSE RELAY: GPRM-B2C05**, GPRM-B4C05** and HGPRM-B4C05**
 NOTE: **Represents the Coil Voltage Code. For Coil Voltage Codes refer to pages 555 and 565.
 RETAINER CLIP: GPR-RC4



MINIATURE 14 BLADE UNGUARDED, 15A

CODE	DESCRIPTION	LIST
GPR-SB14U2	Mini 14 Blade Unguarded	\$9.00

SPECIFICATIONS:

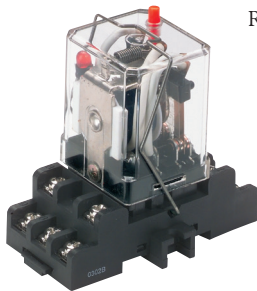
TYPE: Surface or DIN Rail Mount
 CURRENT CARRYING MEMBERS:
 Phosphor Bronze Nickel Plated Steel
 TERMINALS: Open style, Screw w/captive wire clamps
 RECOMMENDED TORQUE: 7-10 lb-in. [.8-1.1 Nm]
 ELECTRICAL RATING: 15A, 300V AC
 ROHS COMPLIANCE: For documentation by product, refer to www.c3controls.com.

FOR USE WITH:

GENERAL PURPOSE RELAY: GPRM-B4C10**
 NOTE: **Represents the Coil Voltage Code. For Coil Voltage Codes refer to page 559.
 RETAINER CLIP: GPR-RC4

DISCOUNT SCHEDULE **G**

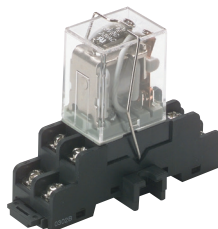
RETAINER CLIPS FOR SOCKETS



Recommended for use in high vibration applications to further secure relay in socket. For RoHS compliance documentation by product, refer to www.c3controls.com.

For use with GPR-SB11U1 & GPR-SB11G1 Sockets.

CODE	DESCRIPTION	QTY./PKG.	LIST/PC.
GPR-RC1	Retainer Clip	10	\$2.00



For use with GPR-SB08U1 & GPR-SB08G1 Sockets.

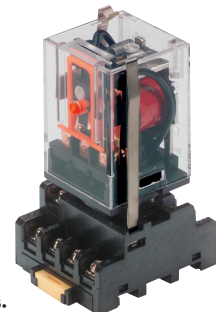
CODE	DESCRIPTION	QTY./PKG.	LIST/PC.
GPR-RC2	Retainer Clip	10	\$2.00

DISCOUNT SCHEDULE **G**



For use with GPR-SB05G1, GPR-SB14U1 and GPR-SB14U2 Sockets.

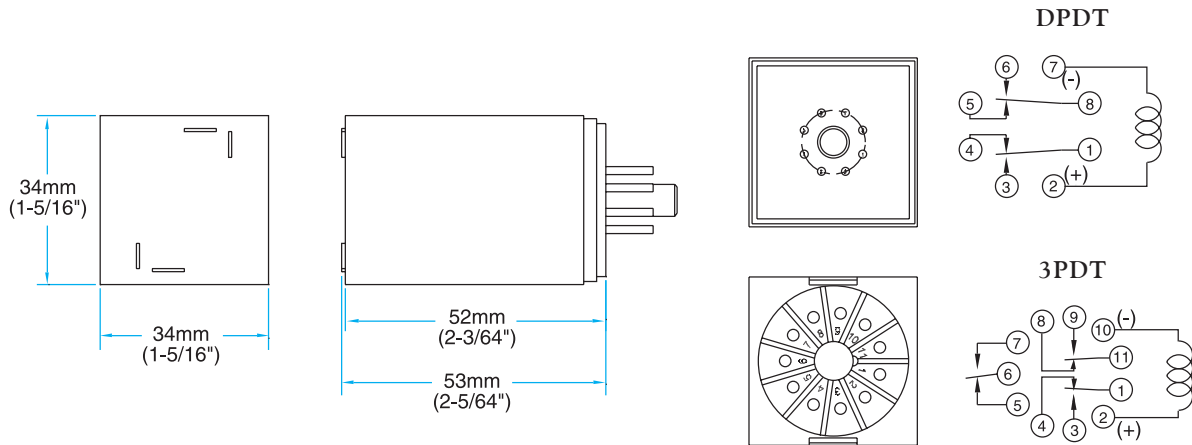
CODE	DESCRIPTION	QTY./PKG.	LIST/PR.
GPR-RC4	Retainer Clip	10 pair	\$2.00



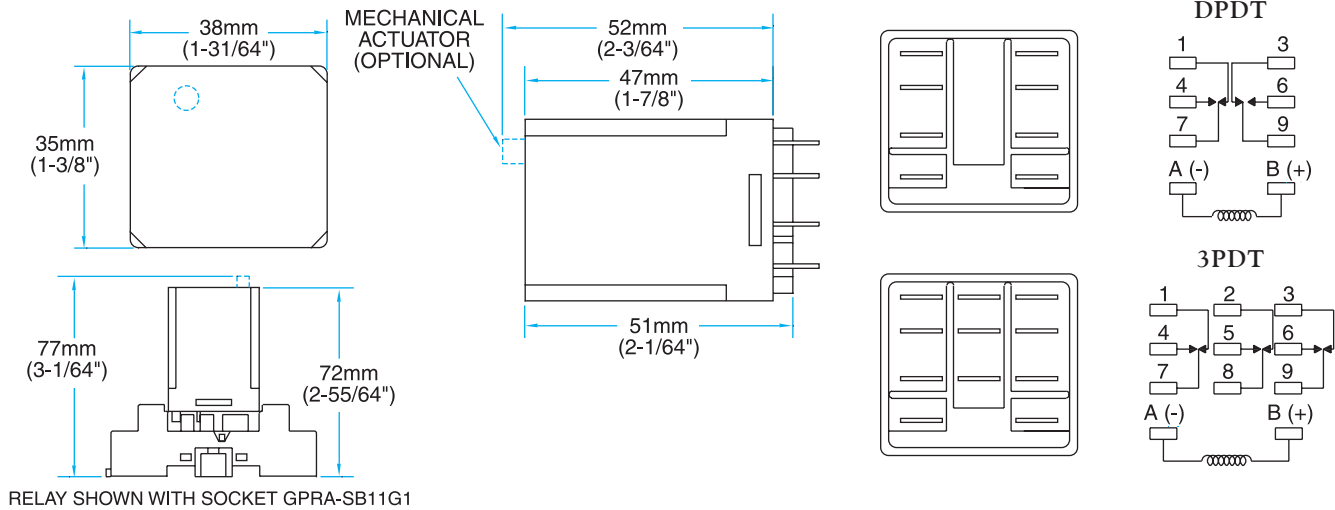
For use with GPR-SP08U1, GPR-SP08G1, GPR-SP11U1 & GPR-SP11G1 Sockets.

CODE	DESCRIPTION	QTY./PKG.	LIST/PR.
GPR-RC3	Retainer Clip	10 pair	\$2.00

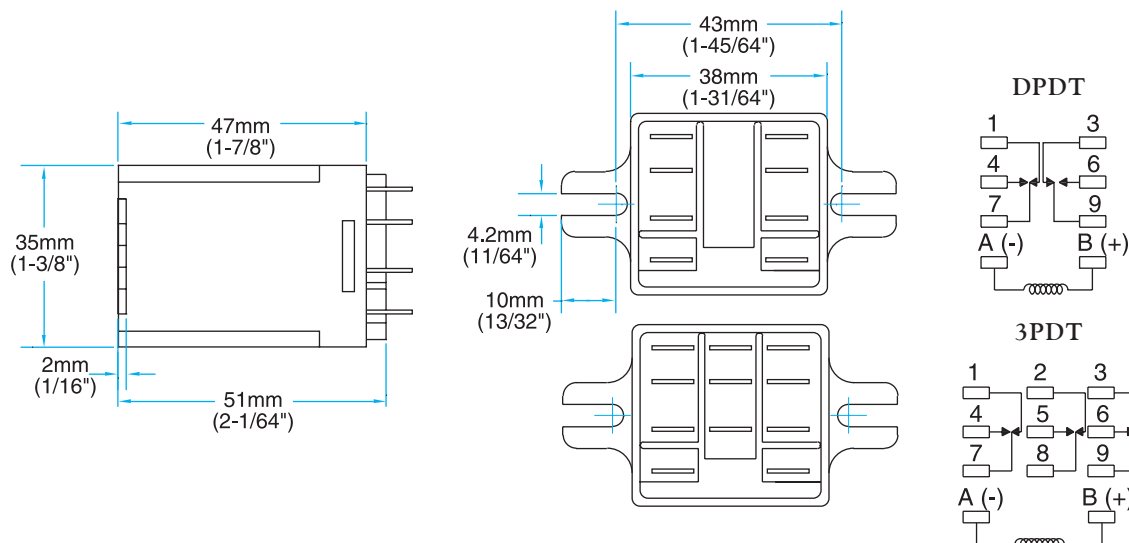
OCTAL BASE RELAYS W/PIN TERMINALS - 2 & 3 POLES (GPRS-P2C10 & P3C10)



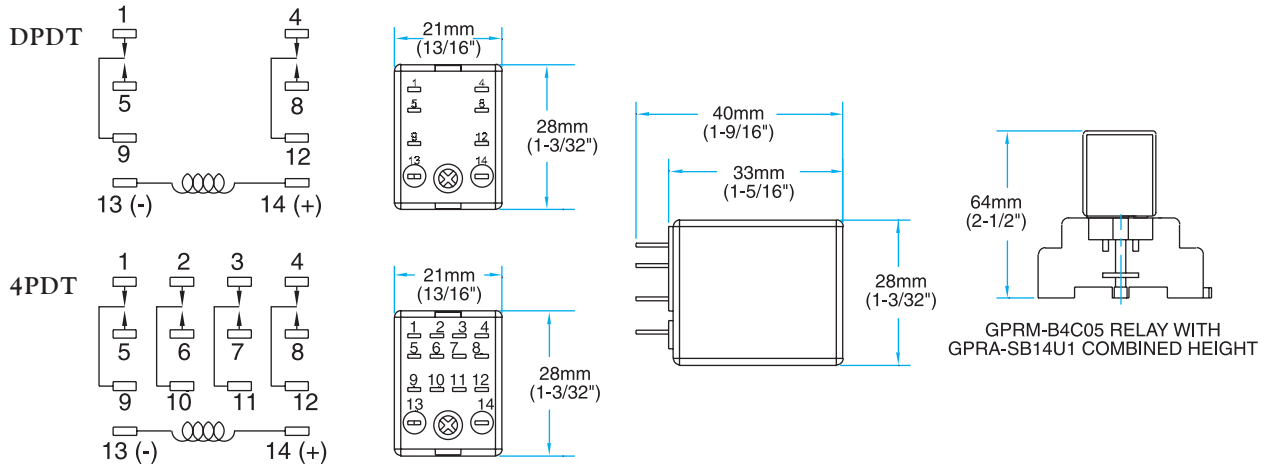
SQUARE BASE RELAYS W/BLADE TERMINALS - 2 & 3 POLES (GPRS-B2C13, B3C13, B2C25 & B3C20)



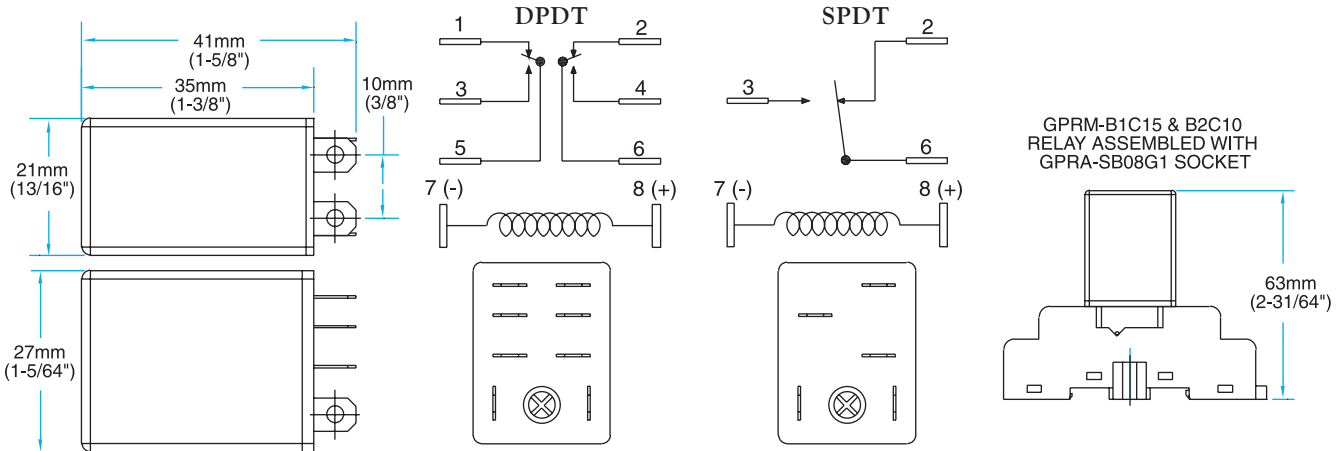
FLANGE MOUNTED RELAYS W/BLADE TERMINALS - 2 & 3 POLES (GPRF-T2C25 & T3C20)



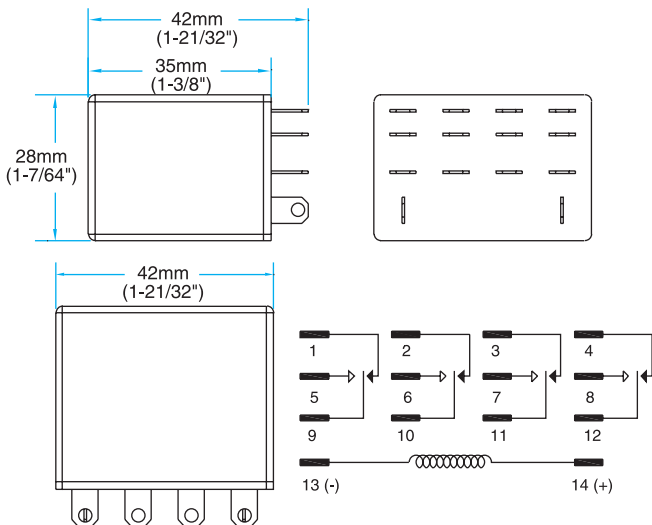
MINIATURE SQUARE BASE RELAYS W/BLADE TERMINALS, 2 & 4 POLES (GPRM-B2C05 & B4C05)



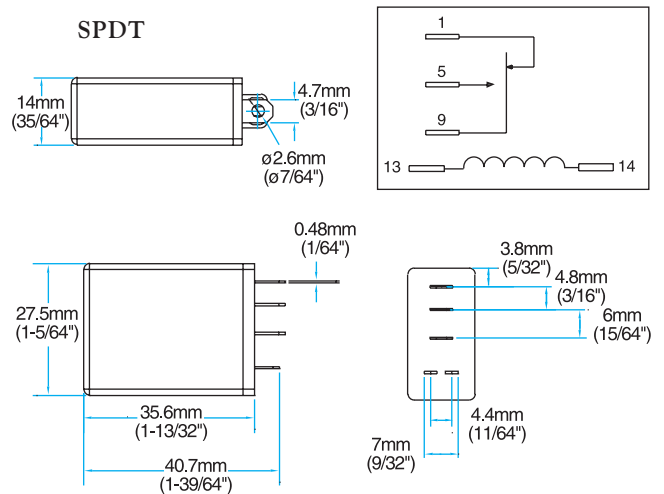
MINIATURE SQUARE BASE RELAYS W/BLADE TERMINALS, 1 & 2 POLES (GPRM-B1C15 & B2C10)



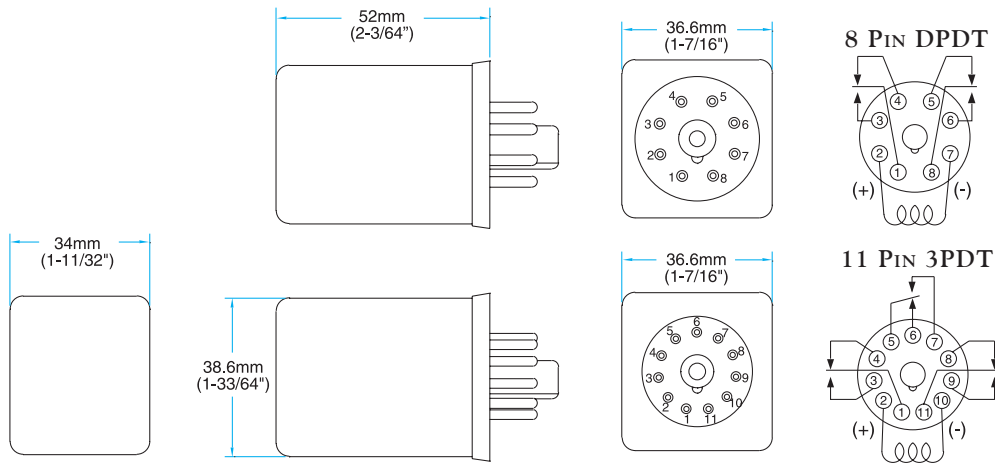
MINIATURE SQUARE BASE RELAYS W/BLADE TERMINALS - 4 POLES (GPRM-B4C10)



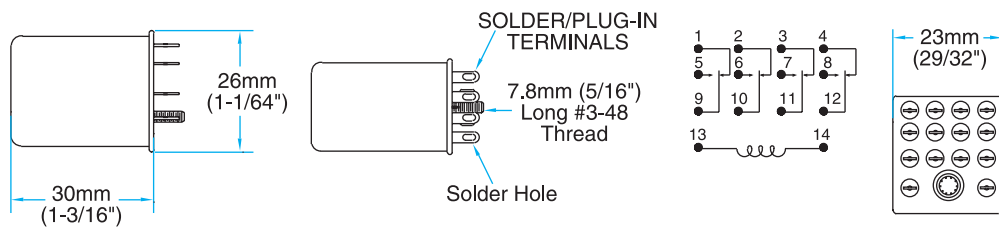
MINIATURE SQUARE BASE RELAYS W/BLADE TERMINALS - 1 POLE (GPRM-S1C12)



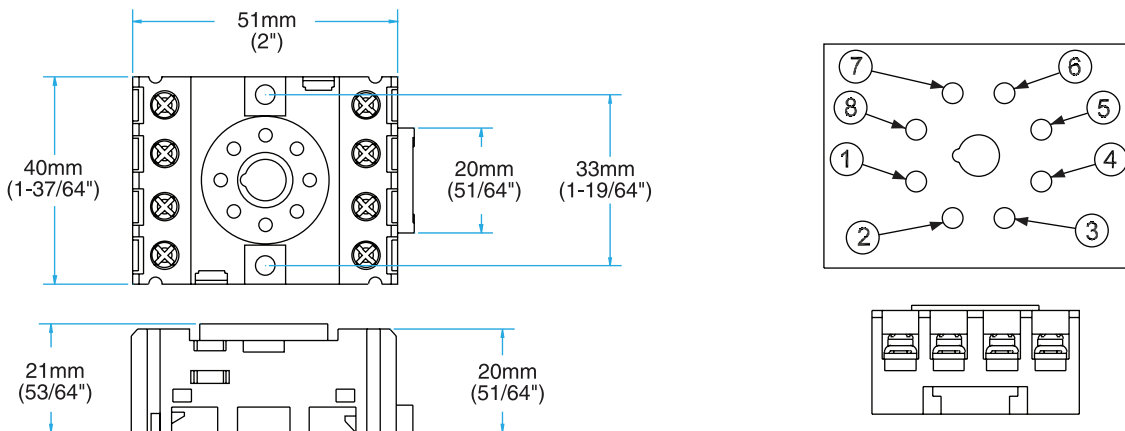
HERMETICALLY SEALED OCTAL BASE RELAYS W/PIN TERMINALS - 2 & 3 POLES (HGPRS-P2C12 & P3C10)



HERMETICALLY SEALED MINIATURE SQUARE BASE RELAYS W/BLADE TERMINALS - 4 POLES (HGPRM-B4C05)

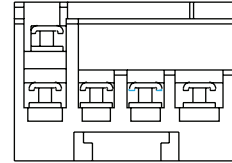
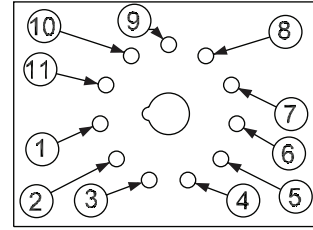
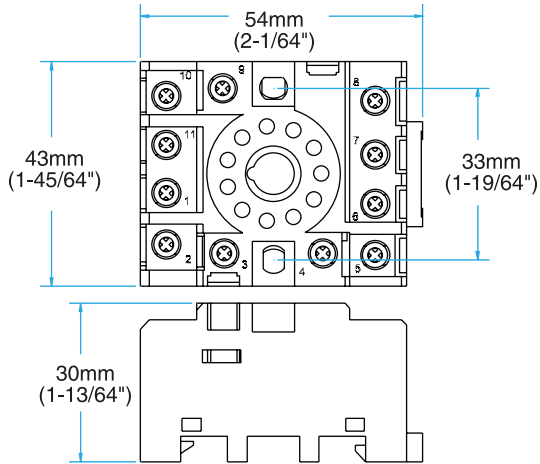


8 PIN GUARDED 10A SOCKET (GPRA-SP08G1)

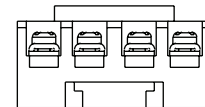
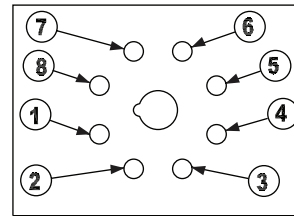
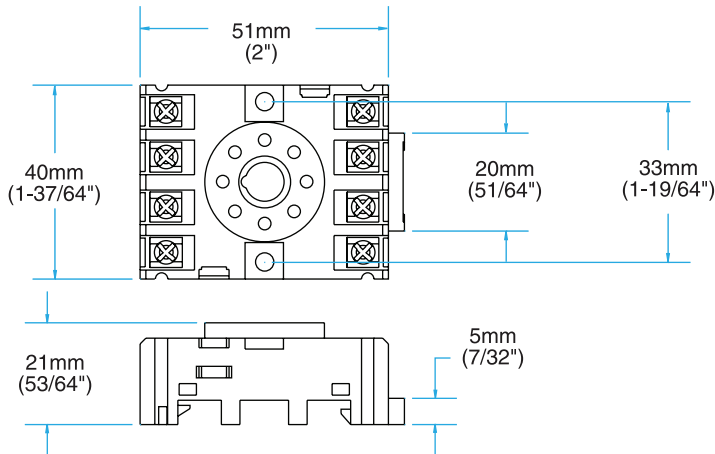


**VISIT WWW.C3CONTROLS.COM
TO DOWNLOAD CAD DRAWINGS**

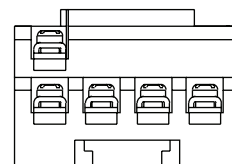
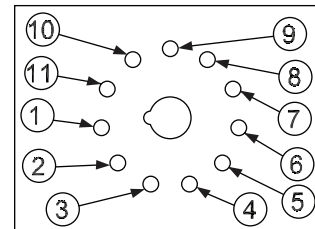
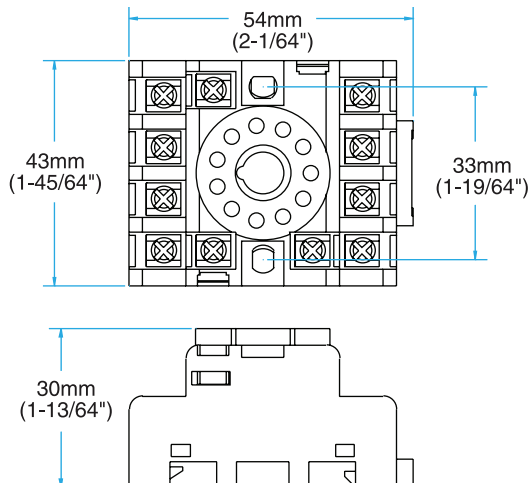
11 PIN GUARDED 10A SOCKET (GPRA-SP11G1)



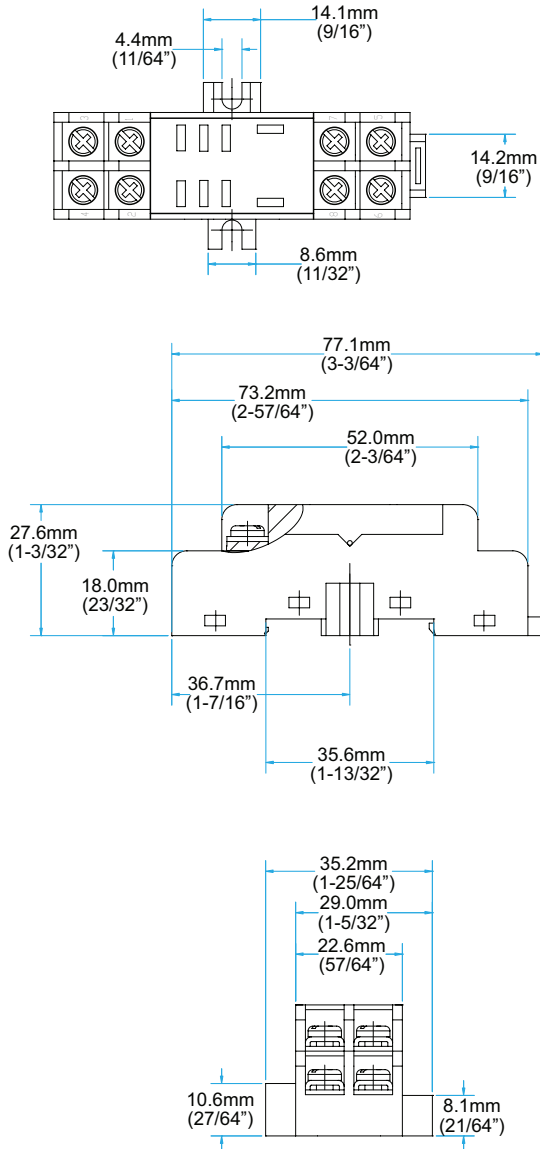
8 PIN UNGUARDED 10A SOCKET (GPRA-SP08U1)



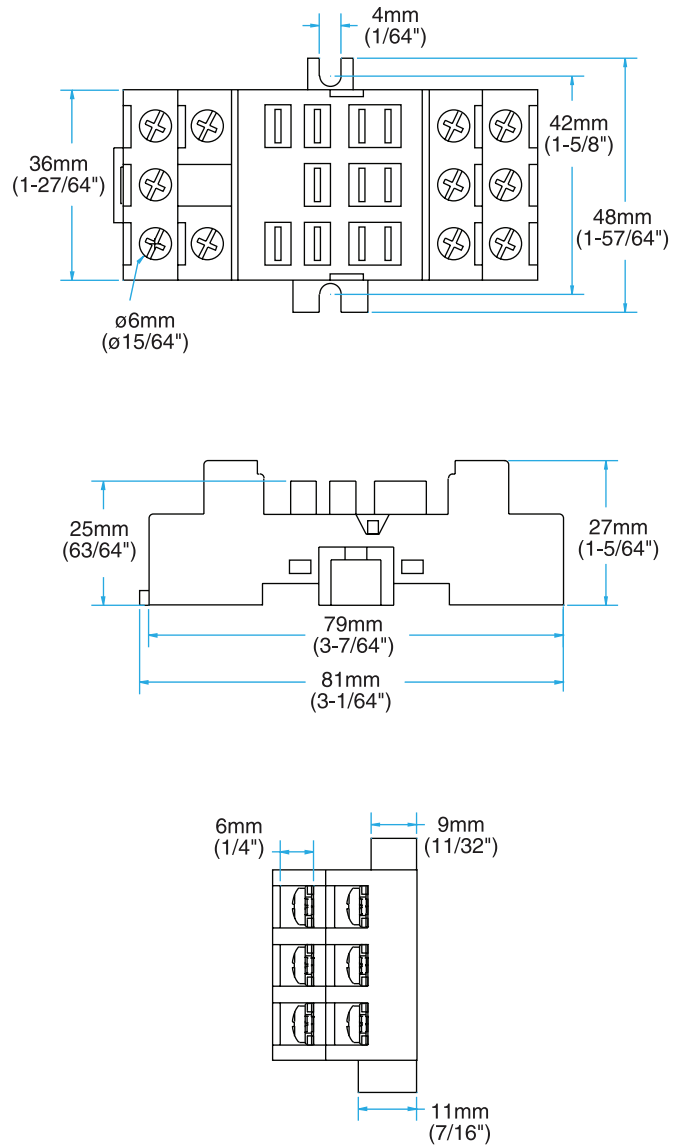
11 PIN UNGUARDED 10A SOCKET (GPRA-SP11U1)



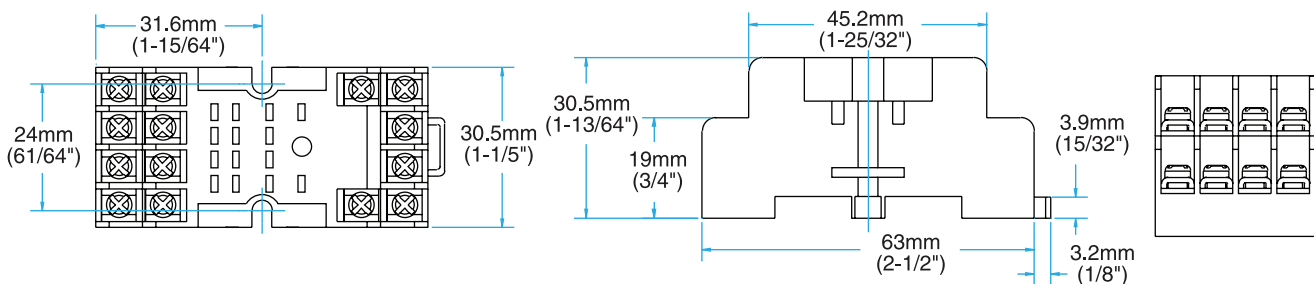
**MINIATURE 8 BLADE GUARDED
15A SOCKET (GPRA-SB08G1)**



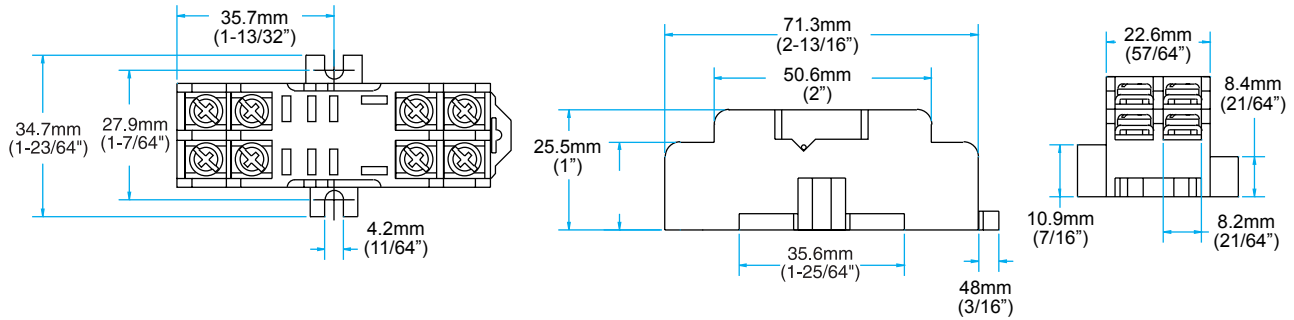
**11 BLADE GUARDED 20/25A
SOCKET (GPRA-SB11G1)**



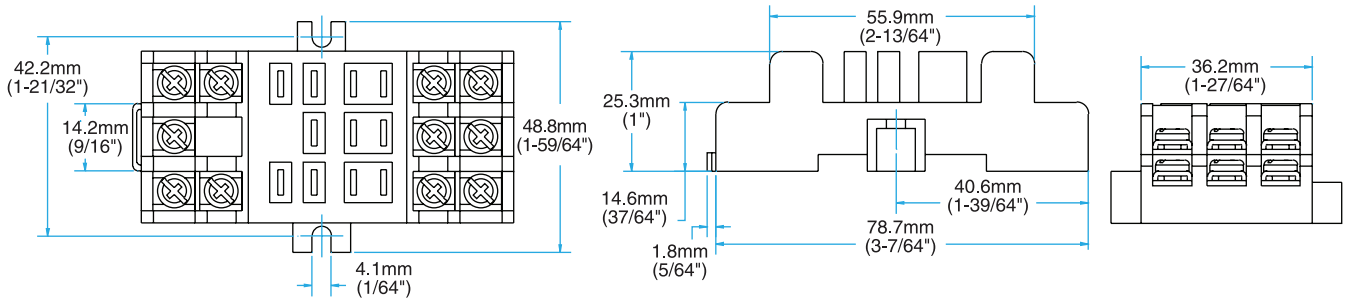
MINIATURE 14 BLADE UNGUARDED 7A SOCKET (GPRA-SB14U1)



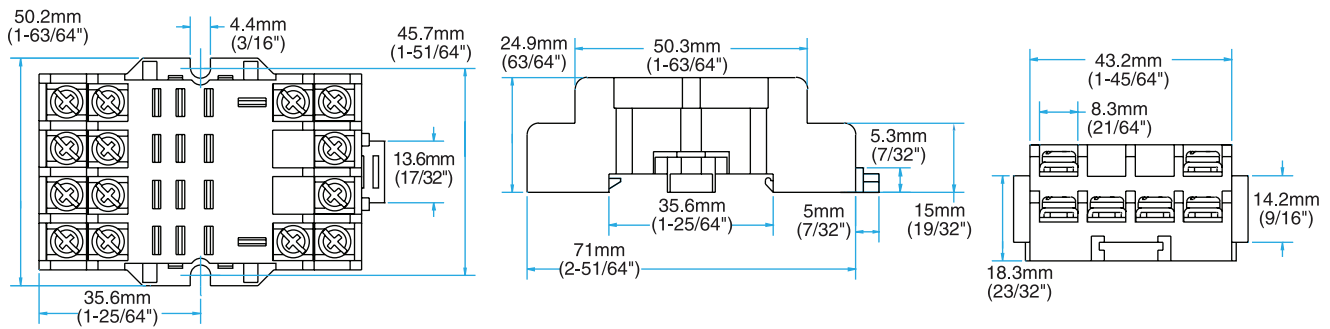
MINIATURE 8 BLADE UNGUARDED 15A SOCKET (GPRA-SB08U1)



MINIATURE 11 BLADE UNGUARDED 20/25A SOCKET (GPRA-SB11U1)



MINIATURE 14 BLADE UNGUARDED 15A SOCKET (GPRA-SB14U2)



MINIATURE 5 BLADE GUARDED 15A SOCKET (GPRA-SB05G1)

