



Features & Options

- Patented Enclosure Style with Large Display
- Robust Tactile Pushbuttons
- Setpoint Adjust (Slider or Pushbutton)
- Optional Override, Fan Speed & Mode Control
- Optional Communication Jack and Test & Balance
- Two Year Warranty

The patented BAPI-Stat 4 Style Enclosure features a large LCD with all the visual indicators on the display itself. It provides local indication of Temperature and Setpoint with Setpoint Adjust and Override.

It also has optional Fan Speed and Mode Control for applications with Fan Coils, Heat Pumps or Unit Ventilators. The Setpoint is available as a slidepot or as pushbuttons and is displayed on the LCD for a short time after an adjustment.

The Override is a momentary signal that can be configured in parallel with the sensor or setpoint, or as a separate output or a latching switch. An optional 3.5mm (1/8"), RJ11 or RJ22 Communication Jack can be mounted in the base to provide direct access to the network.

For detailed specs on the individual Sensors & Transmitters, turn to the Sensors section.



BAPI-Stat 4 Units with Warm White Logo Plate



BAPI-Stat 4 Units with Gray Logo Plate

Specifications

Power for 5VDC Power Units:

0 to 5 VDC Setpoint or Resistive Setpoint.... 5V ±1% (5 VDC nominal, Input regulation affects accuracy)

Power for 24VDC Power Units:

0 to 5 VDC Setpoint or Resistive Setpoint ... 9 to 40 VDC (24 VDC nominal)

0 to 10 VDC Setpoint or Resistive Setpoint . 15 to 40 VDC (24 VDC nominal)

Any Allowed Setpoint..... 15 to 28 VAC (24 VAC nominal)

Note: AC power requires a separate pair of shielded wires.

Power Consumption: 7 mA max DC; .17 VA max AC

Sensing Element: Thermistor, RTD or Semiconductor

Wiring: 2 to 4 pair of 16 to 22AWG**

Comm. Jack: Optional 3.5mm (1/8") Phono Jack or RJ11 Phone Jack

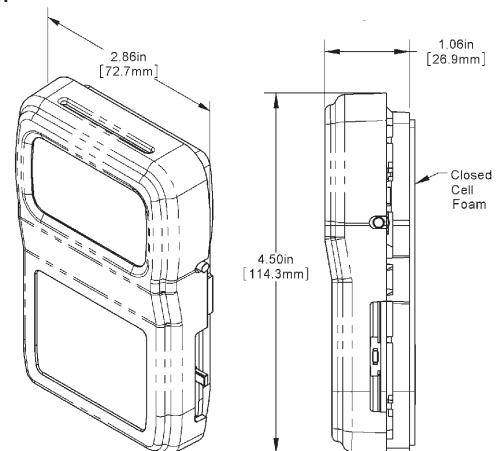
Mounting: Standard 2" by 4" J-box or drywall mount (screws provided)

Environmental Operation Range:

Temperature: 32 to 122 °F (0 to 50 °C)

Humidity: 0 to 95%, non-condensing

Agency: RoHS & CE*



*Units with passive Thermistors 20KΩ and smaller are CE compliant.

**BAPI recommends that you do not run wiring for the Room Units in the same conduit as line voltage wiring or with wiring used to supply highly inductive loads such as motors, generators and coils. Also, these units are not designed for line voltage applications.





BAPI-Stat 4™ Room Unit with Display

A5

Rev. 02/24/16

Temperature Sensors



Ordering Information		BAPI-Stat 4 Room Unit - Temperature								
BA/BS4M	BAPI-Stat 4 Style Enclosure with Multi-Mode Pushbuttons									
BA/BS4S	BAPI-Stat 4 Style Enclosure with Slidepot Setpoint Adjustment and Side Override Button									
Display Mode (Required selection)		Pick F (°F) or C (°C) Indication								
F	Temperatures Displayed in °F									
C	Temperatures Displayed in °C									
Setpoint Configuration		Warm/Cool legend on base is standard for BA/BS4S Units								
#	SETPOINT DISPLAY OPTIONS (Skip if not required)									
	Desired Range	Designator	Desired Range							
	-2 to +2	P	55 to 85 °F or 13 to 30 °C							
	-3 to +3	A	60 to 80 °F or 15 to 27 °C							
	-5 to +5	B	65 to 80 °F or 18 to 27 °C							
	50 to 90 °F or 10 to 32 °C	C	70 to 74 °F or 21 to 23 °C							
			45 to 96 °F or 7 to 36 °C							
			D							
			E							
			F							
			L							
			G							
	See App. Notes pg I3 for Additional Setpoint Display Ranges									
##	SETPOINT OUTPUT VALUE RANGE (Skip if not required)									
	Desired Range	Designator	Desired Range							
	889 to 111 Ω ¹	20	0 to 20 kΩ							
	674 to 274 Ω	23	4.75 k to 24.75 kΩ							
	800 to 1200 Ω	25	6.19 k to 26.19 kΩ							
	909 to 1309 Ω	26	7.87 k to 27.87 kΩ							
	1800 to 2200 Ω	27	10 k to 30 kΩ							
	0 to 1000 Ω	40	0 to 100 kΩ							
	500 to 1500 Ω	41	0 to 5 V ²							
	2 k to 3 kΩ	42	3.7 V to 0.85 V ^{1,2}							
	0 to 10 kΩ	60	5 to 0 V ²							
	15 k to 5 kΩ	61	0 to 10 V ²							
			80							
			81							
			82							
			83							
			84							
			90							
			00							
			02							
			03							
			10							
	See App. Notes pg I2 for Additional Setpoint Ranges									
Pushbutton Fan Speed/Mode Options (BA/BS4M only)		Skip if not required (Single resistive output)								
-XLD	Pushbutton Fan Speed Adjustment [Off (5K), Auto (10K), Lo (15K), Med (20K), Hi (25K)] with LCD Indication									
-X01	Pushbutton Fan Speed Adjustment [Off (4.89K), Auto (2.33K), Lo (10.63K), Med (13.24K), Hi (16.33K)] with LCD Indication									
-X02	Pushbutton Fan Speed Adjustment [Off (2K), Auto (4K), Lo (6K), Med (8K), Hi (10K)] with LCD Indication									
-X06	Pushbutton Fan Speed Adjustment [Off (6.5K), Lo (8.5K), Med (10.5K), Hi (12K)] with LCD Indication									
-HCF	Pushbutton Mode [Heat/Auto (5K), Off/Auto (10K), Cool/Auto (15K), Heat/On (20K), Off/On (25K), Cool/On (30K)] with LCD Indication									
-H01	Pushbutton Mode [Heat/Auto (0Ω), Off/Auto (2K), Cool/Auto (4K), Heat/On (6K), Off/On (8K), Cool/On (10K)] with LCD Indication									
Override Configuration		Must select one								
-L#	Override as a Latching Switch (24VDC/VAC @ 800mA max). The "#" represents latching display options 1-9. See App. Notes pg. I11 for more information or contact your BAPI representative.									
-J	Override as a Separate Output. (Dry contact only, not intended to switch a load.)									
-N	Override in Parallel (//) with Sensor									
-P	Override in Parallel (//) with Setpoint. This includes voltage setpoint models									
-Z	No Override. (Needed if no override is required)									
Optional Communication Jack		Mounted in unit's base								
-C11L	RJ11 (4 pin) Style Jack with Leads Attached									
-C11LT	RJ11 (4 pin) Style Jack with Leads and a Terminal Block Attached									
-C35L	3.5 mm Phono Style Jack with Leads Attached									
-C35LT	3.5 mm Phono Style Jack with Leads and a Terminal Block Attached									
-C22L	RJ22 (4 pin) Style Jack with Leads Attached									
-C22LT	RJ22 (4 pin) Style Jack with Leads and Terminal Block Attached									
Power Available at Panel		Must select one								
-5	Regulated, 5 VDC (See full power specs on the datasheet)									
-24	9 to 40 VDC or 15 to 28 VAC (See full power specs on the datasheet)									
Direct Out Sensor or External Sensor		Must select one								
-1375	1K Platinum RTD, 1,000 Ω @ 0 °C, 3.75 Ω/°C temp. coeff.									
-1N1	1K Ω Nickel RTD, 1,000 Ω @ 21 °C, 5 Ω/°C temp. coeff.									
-1	1K Platinum RTD, 1,000 Ω @ 0 °C, 3.85 Ω/°C temp. coeff.									
-2	2K Silicon RTD, 2,000 Ω @ 20 °C, 8 Ω/°C temp. coeff.									
-18	1.8K Thermistor, 1,800 Ω @ 25 °C									
-3	3K Thermistor, 3,000 Ω @ 25 °C									
-33	3.3K Thermistor, 3,300 Ω @ 25 °C									
-102	10K-2 Thermistor, 10,000 Ω @ 25 °C									
-103	10K-3 Thermistor, 10,000 Ω @ 25 °C									
-10311	10K-3[11K] Thermistor, 5,238 Ω @ 25 °C (10K-3 Thermistor with 11kΩ shunt resistor)									
-20	20K Thermistor, 20,000 Ω @ 25 °C									
-50	50K Thermistor, 50,000 Ω @ 25 °C									
-100	100K Thermistor, 100,000 Ω @ 25 °C									
-592	AD592 Semiconductor, 273 μA @ 0 °C									
-ES	External Sensor for Display Only. Order 10K-2 thermistor separately. 25 ft max.									
Optional Test and Balance Switch		Must select one								
-TB	Three Position Switch - "Low" & "High" values vary, "Normal" is live sensor value, call for details. (Not available with the -ES option)									
Connection Configuration		Select one, default is common ground								
-CG	Common Ground (must select for voltage setpoint units)									
-DF	Differential Inputs (only available with resistive setpoint)									
Logo Plate Color		Must select one								
-WMW	Warm White Logo Plate Color (matches enclosure color)									
-GRY	Gray Logo Plate Color									
EXAMPLE										
BA/BS4M	C	-F80	-XLD	-N	-C11L	-24	-102	-TB	-DF	-WMW
Example Part Number: BA/BS4MC-F80-XLD-N-C11L-24-102-TB-DF-WMW										
Your Part Number:										

All models can be field calibrated so the displayed ambient temperature value matches a reference device (±3°, ½° steps), call for details.

Override indication is activated by logic low or dry contact signal from the controller to GND.

¹ Available on pushbutton (BS4M) models only

² 9 to 40 VDC (24 VDC nominal) power is required. Common Ground Only (-CG)

³ 15 to 40 VDC (24 VDC nominal) power is required. Common Ground Only (-CG)



Building Automation Products, Inc. • 750 North Royal Avenue, Gays Mills, WI 54631 USA

Tel: +1-608-735-4800 • Fax: +1-608-735-4804 • Email: sales@bapivac.com • Web: www.bapivac.com