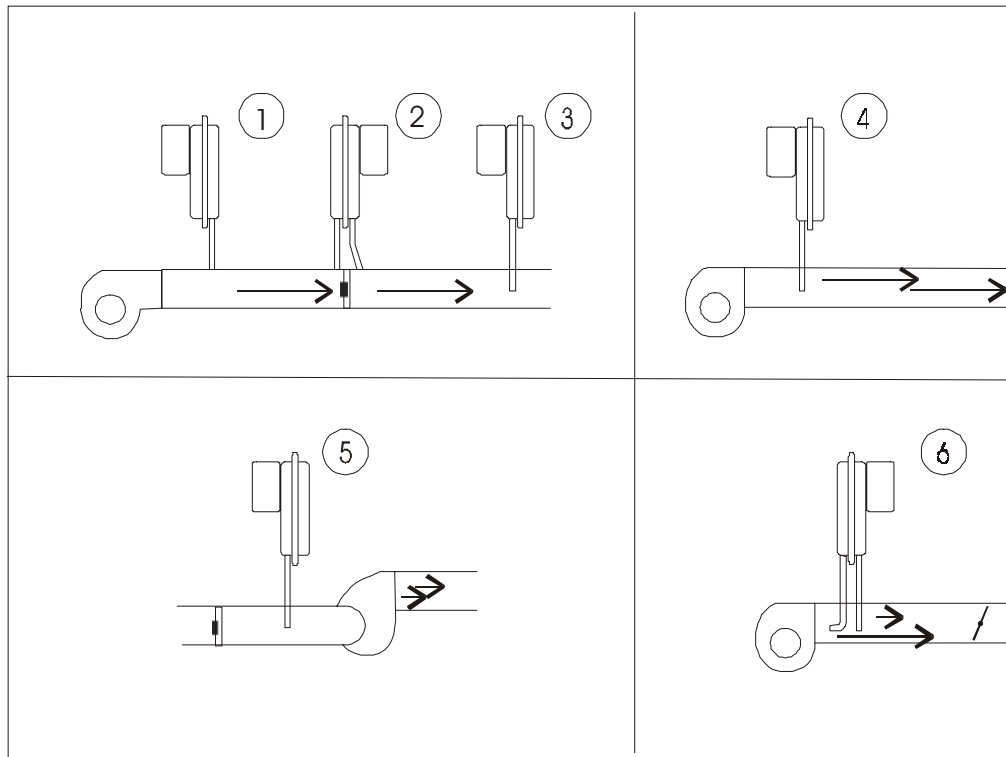


Typical Sensing Probe Applications

for Air Pressure Sensing Switches:



Recommended probe locations:

- A. Position 5 to 8 diameters downstream from elbows, obstructions, or large change in duct area.
- B. Insert probe into duct perpendicular to airstream so that:
 - **Aspiration** (static) probe tip opens parallel with airstream.
 - **Impact** (total pressure) probe tip opens directly into the airstream.

Typical applications (see illustration):

1. Positive static pressure increases as the filter gets dirty.
2. Differential across filter changes as filter gets dirty.
3. Flow is reduced as filter gets dirty.
4. Fan operation or true air flow with little or no static pressure.
5. Negative pressure increases as the filter gets dirty.
6. Fan operation and true air flow: varying amounts of static pressure. Probes must be perpendicular to air flow.



Cleveland Controls
Division of UniControl Inc.

1111 Brookpark Road • Cleveland OH 44109
TEL: (216) 398-0330 • FAX: (216) 398-8558

<http://www.clevelandcontrols.com>

Bulletin AFS07.00