

# VerifEye™ Series 3500 Meter Kits with Ethernet Communications



## DEFINITION

The Leviton Series 3500 Meter is a revenue-grade kWh electrical meter featuring Time of Use (TOU) meter readings, per-phase meter data, and a user-friendly LCD display. The Series 3500 Meter is designed for use on both 3-phase, 3-wire (Delta) and 3-phase, 4-wire (WYE) circuits, and features multi-function universal voltage.

The Leviton Series 3500 Meter is a highly accurate, 0.5% accuracy class kWh/demand meter. Offering a full range of electrical parameter measurement—kVA and kVAR, PF, per phase voltage, etc., this meter is ideally suited to commercial and industrial applications where advanced communications protocols are demanded. As an Ethernet-enabled product, the Series 3500 meter can be configured for Modbus TCP/IP for easy integration into existing Modbus networks. The meter can also be configured for BACnet IP to meet the requirements of today's direct digital control based Building Automation Systems. In addition to the advanced protocols, the Series 3500 Meter comes standard with an Isolated Pulse output as an additional communication capability.

A highly accurate, multi-function smart meter, the Leviton Series 3500 Meter offers seamless integration into the advanced building control and management systems in today's market.

## APPLICATIONS

Use Series 3500 Meters in commercial, institutional, industrial and government applications for:

- Load profiling and benchmarking
- AMR/BAS/BMS/EMS integration
- Usage aggregation
- Tenant cost allocation
- Measurement and verification
- Energy conservation and cost reduction
- Green building initiatives and Government mandates

VerifEye™ Series 3500 Multi-Function Ethernet Meter Kits

**PRODUCT DATA**

**FEATURES**

- Revenue grade accuracy: 0.5% accuracy class
- Large LCD display with scroll feature
- Indoor JIC steel and outdoor (NEMA 4X) enclosure options
- Up to three sets of CTs paralleled with no multipliers
- Use with split core or solid core CTs
- Installation diagnostics
- Low voltage detection
- Real time clock with battery back up for TOU reading
- UL and cUL listed energy usage monitor per CCN FTRZ
- Five year warranty

**COMMUNICATIONS**

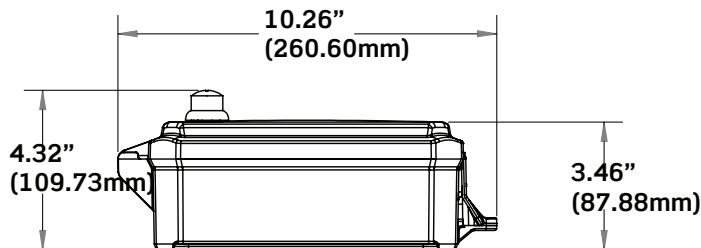
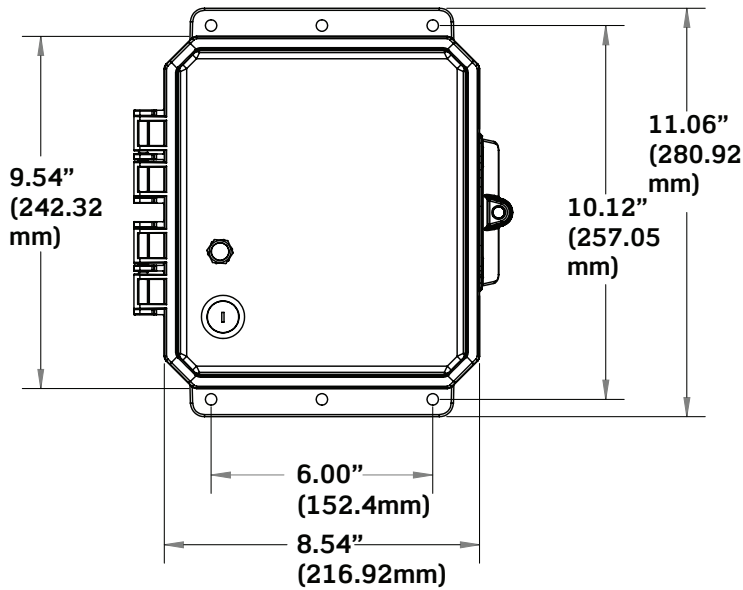
- Modbus TCP/IP or BACnet IP
- Isolated pulse output

**MEASURED PARAMETERS**

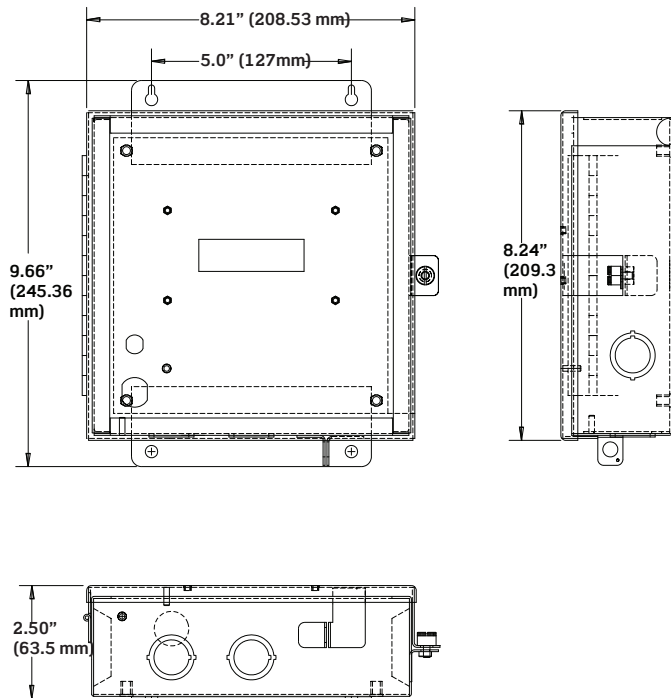
- Total Meter
  - kWh/kW
  - kVAh
  - kVA and kVAR
  - Power Factor
  - Line Frequency
  - Voltage L-L
- Per Phase
  - Voltage L-N
  - Current
  - Watts
  - VA, VAR
  - Power Factor

**DIMENSIONS**

**SERIES 3500 OUTDOOR ENCLOSURE**



**DIMENSIONS**  
**SERIES 3500 INDOOR ENCLOSURE**



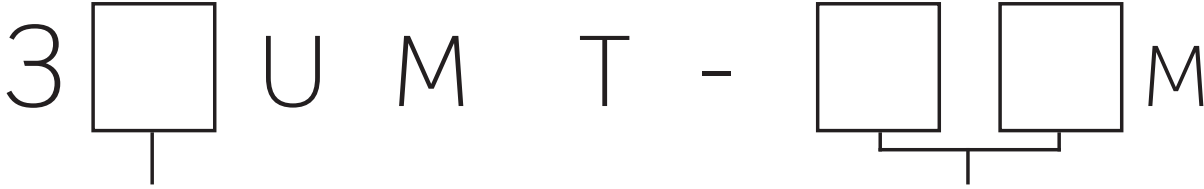
**SPECIFICATIONS**

<b>ELECTRICAL</b>		
	<b>NO NEUTRAL</b>	<b>NEUTRAL</b>
<b>Input Configurations</b>	2PH 2W 208VAC 2PH 2W 480VAC 3PH 3W 240VAC 3PH 3W 480VAC	2PH 3W 120/208VAC 3PH 4W 120/208VAC 3PH 4W 240VAC Grounded Delta 3Ph 4W 277/480VAC 3PH 4W 480VAC Grounded Delta
<b>Supply Voltage Range (Line 1 to Line 2)</b>	177-552VAC	
<b>Maximum Input Power</b>	10.2 VA Max	
<b>Maximum Rated Current</b>	Primary: Max Rated Current +10% Secondary: 0.11A	
<b>Line Frequency</b>	60Hz	
<b>Power Factor Range</b>	0.5 to 1.0 leading or lagging	
<b>Accuracy*</b>	kWh: Meter shall meet or exceed ANSI C12.1 and C12.20(0.5) All other parameters: +/- 1% of reading or registration	
<b>Meter Operating Temperature Range</b>	-22 - 140°F (-30 - 60°C)	
<b>Display Operating Temperature Range</b>	-4 - 122°F (-20 - 50°C)	
<b>TERMINAL BLOCKS</b>		
<b>Voltage Inputs</b>	14AWG, 12 in-lb of torque maximum	
<b>Current Transformer Inputs, Pulse &amp; RS485 Outputs</b>	14-18AWG, 4.4 in-lb of torque maximum	

**PRODUCT DATA**



**ORDERING KEY - KITS (CURRENT TRANSFORMERS INCLUDED)**



**KIT TYPE**

- K** = Indoor
- O** = Outdoor
- NEMA 4X

**AMPERAGE RATING & CT TYPE**

- 01** = 100A Split Core
- 02** = 200A Split Core
- 04** = 400A Split Core
- 08** = 800A Split Core
- 16** = 1600A Split Core
- 30** = 3000A Split Core
- 50** = 5000A Split Core
- 1S** = 100A SOLID Core
- 2S** = 200A SOLID Core
- 4S** = 400A SOLID Core

**ORDERING KEY - INDIVIDUAL METERS (CURRENT TRANSFORMERS SOLD SEPARATELY)**



**KIT TYPE**

- N** = Indoor
- R** = Outdoor
- NEMA 4X

**AMPERAGE RATING**

- 01** = 100A
- 02** = 200A
- 04** = 400A
- 08** = 800A
- 16** = 1600A
- 30** = 3000A
- 50** = 5000A

**Leviton Manufacturing Co., Inc. Global Headquarters**

201 North Service Road, Melville, NY 11747-3138 **tel** 800-323-8920 **fax** 800-832-9538 **tech line** (8:30AM-7:00PM ET Mon-Fri) 800-824-3005

**Leviton Manufacturing Co., Inc. Energy Management, Controls and Automation**

20497 SW Teton Avenue, Tualatin, OR 97062 **tel** 800-736-6682 **fax** 503-404-5594 **tech line** (6:00AM-4:00PM PT Mon-Fri) 800-959-6004

**Visit our Website at: [www.leviton.com/verifeye](http://www.leviton.com/verifeye)**

©2016 Leviton Manufacturing Co., Inc. All rights reserved. Subject to change without notice.