

ACCESSORIES

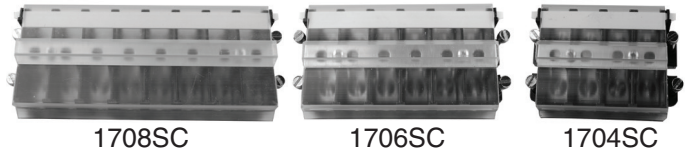
SHORTING TERMINAL BLOCK

MODEL 17SC

FEATURES

- UL Recognized
- Short circuiting versions for meter servicing, CT tap changing, etc.
- Rugged non-chipping heavy duty construction
- Clear plastic cover
- 4, 6, and 8 Pole configuration

600V CLASS



LR19766



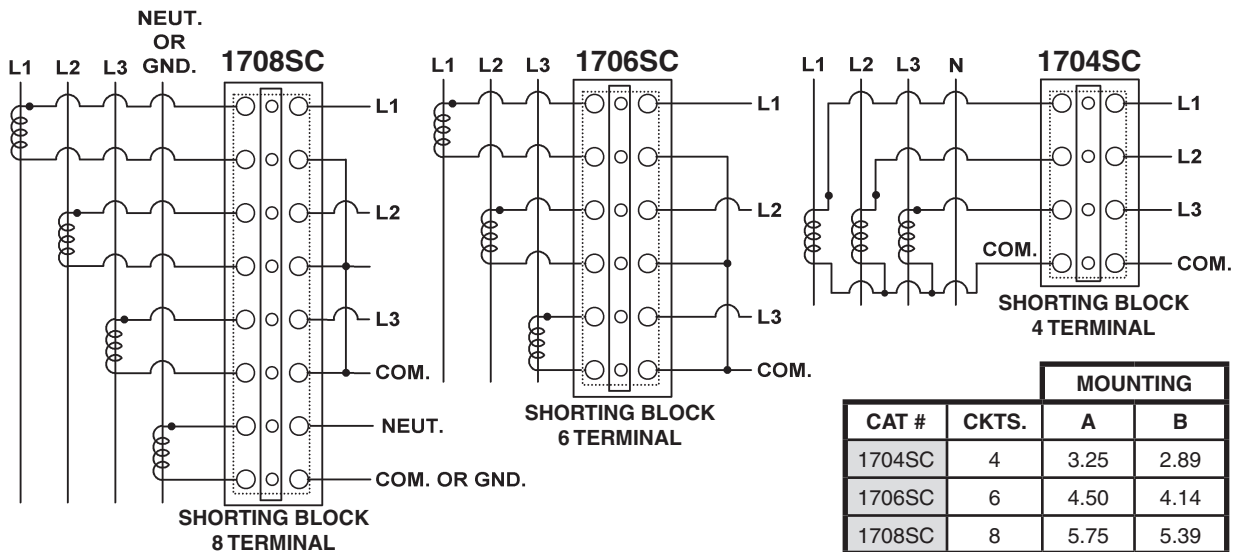
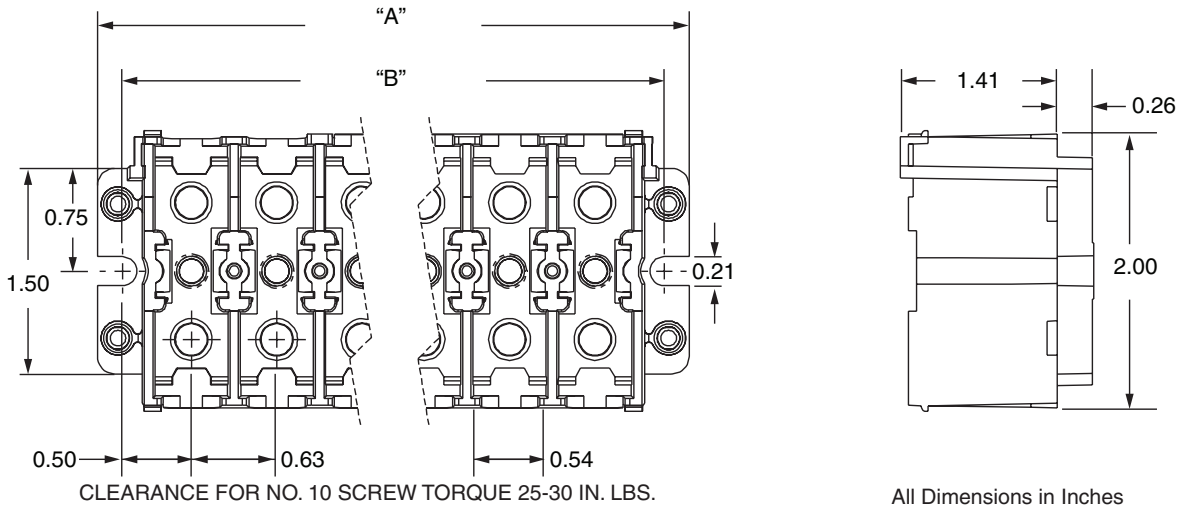
E62806

SPECIFICATIONS

Rating600Vac, 75A
 Wire Range..... 18-10 AWG
 Material..... Thermoplastic body
 Terminal Screws #10-32 nickel plated brass
 TerminalsBrass, allows lugs up to 1/2" in width
 4, 6 and 8 pole configurationsShorting type with covers, shorting screws and screw "Parking Stations"
 Surface Mounting Flat base for one piece terminal block replacement

| ORDERING INFORMATION | |
|-------------------------|-----------------|
| CATALOG NUMBER | NUMBER OF POLES |
| 1704SC/Veris: U002-0004 | 4 |
| 1706SC/Veris: U002-0005 | 6 |
| 1708SC/Veris: U003-0006 | 8 |

MOUNTING, WIRING & DIMENSIONS



| MOUNTING | | | |
|----------|-------|------|------|
| CAT # | CKTS. | A | B |
| 1704SC | 4 | 3.25 | 2.89 |
| 1706SC | 6 | 4.50 | 4.14 |
| 1708SC | 8 | 5.75 | 5.39 |

FLEX-CORE®
 Div. Morlan & Associates, Inc.
 4970 Scioto Darby Rd. Hilliard, Ohio 43026

WWW.FLEX-CORE.COM
 sales@flex-core.com

PHONE (614) 889-6152
 TECH. ASSISTANCE (614) 876-8308
 FAX # (614) 876-8538

ACCESSORIES