

## TO SERIES

Sleek Design, Reduces Solar Heating



## Sleek design

Reduces solar heating...reliable and accurate

## Flexible

Available with transmitter, linitemp, RTDs, or thermistors

### APPLICATIONS

- Outdoor reference

TO Series outdoor temperature sensors feature a sleek, weather resistant design, and provide easy installation. The durable probe is encased in a radiation shield to reduce the effects of solar heating. Choose from a variety of RTD, thermistor, or transmitter outputs to suit any application.

### SPECIFICATIONS

|                   |   |
|-------------------|---|
| Wiring            | 22 AWG; 2-wire: RTD/Thermistor, 4 to 20 mA; 3-wire: voltage output models |
| Junction Box      | Weather resistant   |
| Mounting Location | For outdoor use   |

#### TEMPERATURE TRANSMITTER OPTION

|              |  |
|--------------|--|
| Input Power  | 4 to 20 mA version - Loop powered Class 2, 12 to 30 Vdc only, 30 mA max; 1-5/2-10 V versions - 12-30 Vdc/24 Vac, 50/60 Hz, 15 mA max |
| Temp. Output | 2-wire, loop powered Class 2, 4 to 20mA; 3-wire, 1-5 V/2-10 Vdc  |
| Sensor Type  | Solid-state, integrated circuit (Transmitter)  |
| Accuracy     | ±0.5°C (±.9°F) typical   |
| Ranges       | 0 to 50 °C (32 to 122 °F), -40 to 50 °C (-40 to 122 °F)*   |

#### RESISTIVE OPTION

|                |                               |
|----------------|-------------------------------|
| Operating Temp | -25 to 105 °C (-13 to 221 °F) |
|----------------|-------------------------------|

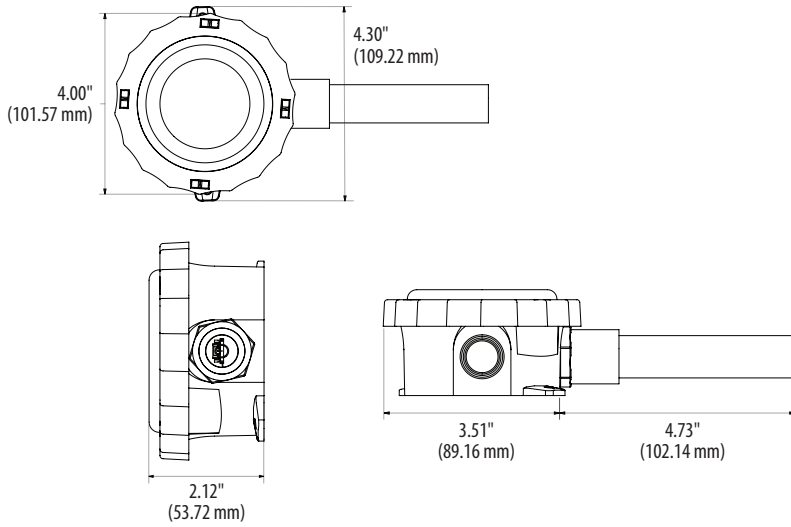
#### WARRANTY

|                  |         |
|------------------|---------|
| Limited Warranty | 5 years |
|------------------|---------|

#### AGENCY APPROVALS



### DIMENSIONAL DRAWING



### ORDERING INFORMATION

#### RTD/Thermistor Models

##### Sensor Type

TO



- B = 100R platinum, RTD
- C = 1k platinum, RTD
- D = 10k T2, Thermistor
- E = 2.2k, Thermistor
- F = 3k, Thermistor
- H = 10k T3, Thermistor
- I = 1k Balco (Nickel-iron) RTD
- J = 10k Dale, Thermistor
- K = 10k w/11k shunt, Thermistor
- M = 20k NTC, Thermistor
- N = 1800 ohm, Thermistor
- T = 100k, Thermistor
- W = 10k T2 high accuracy, Thermistor
- Y = 10k T3 high accuracy, Thermistor

##### Output



= Resistive Output

##### Cal Certificate



- 0 = None
- 2 = 3-point NIST calibration

Example:



#### Temperature Transmitter Models

##### Output

TOA



- M = 4 to 20 mA
- V = 1-5/2-10 Vdc

##### Range



- 1 = -40 to 50 °C (-40 to 122 °F)
- 2 = 0 to 50 °C (32 to 122 °F)

##### Calibration Certificate



- 0 = None
- 2 = 3-point NIST calibration

Example:

