



Your Enclosure Source®

ENVIROLINE® SERIES SINGLE-DOOR ENCLOSURES

Application

Designed to house electrical and electronic controls, instruments and components. Provides protection from dust, oil and water. For outdoor application a drip shield is recommended. For installation information, consult our Installation Manual at www.saginawcontrol.com.

Construction

- 0.075" carbon steel.
- Seams continuously welded and ground smooth.
- Flange trough collar around all sides of door opening.
- Pour in place oil and water resistant gasket.
- Collar studs provided for mounting optional sub-panels.
- Concealed hinges.
- Removable and interchangeable doors.
- Black quarter turn latches.
- Latches are opened or closed with a screwdriver.
- Mounting holes in back of enclosure.
- Mounting hardware, sealing washers and hole plugs included.
- Removable print pocket furnished if height and width of enclosure is greater than 12".
- Ground studs on door and body.
- Provision for Lifting Lugs included on enclosures with Height >48" and with Depth >16". Lifting Lug assembly included with the enclosure bolt pack.

Finish

ANSI-61 gray powder coated inside and out. Optional sub-panels powder coated white.

Options

- Optional tamper-resistant inserts available.
- Optional mounting feet available.
- Door hardware available.

Notes

Interchangeable latches and handles available in the accessory section.

IS4 Industry Standards

NEMA Type 3R, 4, 12 & Type 13
UL Listed Type 3R, 4 & 12
CSA Type 3R, 4 & 12
IEC 60529 IP66

***To maintain Type 3R listing, Drainage is required. Install equally rated drainage device or drill a 1/8 to 1/4 inch hole in the bottom center of the enclosure, approximately 1 inch from the right, and 1 inch from the left for drainage, use listed rain-tight or wet location hubs. Drip shield over the door is recommended for all outdoor applications.

Enclosure Product Code E3

Sub-Panel (P3)

Catalog No.	Height (A)	Width (B)	Depth (C)	Industry Standard	Catalog No.	Panel Height (D)	Panel Width (E)
SCE-12EL1206LP	12.00	12.00	6.00	IS4	SCE-12DLP12	9.00	9.00
SCE-12EL2406LP	12.00	24.00	6.00	IS4	SCE-12P24	9.00	21.00
SCE-12EL2408LP	12.00	24.00	8.00	IS4	SCE-12P24	9.00	21.00
SCE-16EL1206LP	16.00	12.00	6.00	IS4	SCE-16P12	13.00	9.00
SCE-16EL1208LP	16.00	12.00	8.00	IS4	SCE-16P12	13.00	9.00
SCE-16EL1408LP	16.00	14.00	8.00	IS4	SCE-16DLP14	13.00	11.00
SCE-16EL1606LP	16.00	16.00	6.00	IS4	SCE-16P16	13.00	13.00
SCE-16EL1608LP	16.00	16.00	8.00	IS4	SCE-16P16	13.00	13.00
SCE-16EL2006LP	16.00	20.00	6.00	IS4	SCE-20P16	17.00	13.00
SCE-16EL2008LP	16.00	20.00	8.00	IS4	SCE-20P16	17.00	13.00
SCE-20EL1206LP	20.00	12.00	6.00	IS4	SCE-20P12	17.00	9.00
SCE-20EL1606LP	20.00	16.00	6.00	IS4	SCE-20P16	17.00	13.00
SCE-20EL1608LP	20.00	16.00	8.00	IS4	SCE-20P16	17.00	13.00
SCE-20EL1610LP	20.00	16.00	10.00	IS4	SCE-20P16	17.00	13.00
SCE-20EL1612LP	20.00	16.00	12.00	IS4	SCE-20P16	17.00	13.00
SCE-20EL2006LP	20.00	20.00	6.00	IS4	SCE-20P20	17.00	17.00
SCE-20EL2008LP	20.00	20.00	8.00	IS4	SCE-20P20	17.00	17.00
SCE-20EL2010LP	20.00	20.00	10.00	IS4	SCE-20P20	17.00	17.00
SCE-20EL2012LP	20.00	20.00	12.00	IS4	SCE-20P20	17.00	17.00
SCE-20EL2408LP	20.00	24.00	8.00	IS4	SCE-24P20	21.00	17.00
SCE-24EL1206LP	24.00	12.00	6.00	IS4	SCE-12P24	9.00	21.00
SCE-24EL1606LP	24.00	16.00	6.00	IS4	SCE-24P16	21.00	13.00
SCE-24EL1608LP	24.00	16.00	8.00	IS4	SCE-24P16	21.00	13.00
SCE-24EL2006LP	24.00	20.00	6.00	IS4	SCE-24P20	21.00	17.00
SCE-24EL2008LP	24.00	20.00	8.00	IS4	SCE-24P20	21.00	17.00
SCE-24EL2010LP	24.00	20.00	10.00	IS4	SCE-24P20	21.00	17.00
SCE-24EL2012LP	24.00	20.00	12.00	IS4	SCE-24P20	21.00	17.00
SCE-24EL2016LP	24.00	20.00	16.00	IS4	SCE-24P20	21.00	17.00
SCE-24EL2406LP	24.00	24.00	6.00	IS4	SCE-24P24	21.00	21.00
SCE-24EL2408LP	24.00	24.00	8.00	IS4	SCE-24P24	21.00	21.00
SCE-24EL2410LP	24.00	24.00	10.00	IS4	SCE-24P24	21.00	21.00
SCE-24EL2412LP	24.00	24.00	12.00	IS4	SCE-24P24	21.00	21.00
SCE-24EL2416LP	24.00	24.00	16.00	IS4	SCE-24P24	21.00	21.00
SCE-24EL3008LP	24.00	30.00	8.00	IS4	SCE-30P24	27.00	21.00
SCE-24EL3010LP	24.00	30.00	10.00	IS4	SCE-30P24	27.00	21.00
SCE-24EL3012LP	24.00	30.00	12.00	IS4	SCE-30P24	27.00	21.00
SCE-30EL1606LP	30.00	16.00	6.00	IS4	SCE-30P16	27.00	13.00
SCE-30EL2008LP	30.00	20.00	8.00	IS4	SCE-30P20	27.00	17.00
SCE-30EL2010LP	30.00	20.00	10.00	IS4	SCE-30P20	27.00	17.00
SCE-30EL2406LP	30.00	24.00	6.00	IS4	SCE-30P24	27.00	21.00
SCE-30EL2408LP	30.00	24.00	8.00	IS4	SCE-30P24	27.00	21.00
SCE-30EL2410LP	30.00	24.00	10.00	IS4	SCE-30P24	27.00	21.00
SCE-30EL2412LP	30.00	24.00	12.00	IS4	SCE-30P24	27.00	21.00
SCE-30EL2416LP	30.00	24.00	16.00	IS4	SCE-30P24	27.00	21.00
SCE-30EL2420LP	30.00	24.00	20.00	IS4	SCE-30P24	27.00	21.00
SCE-30EL2424LP	30.00	24.00	24.00	IS4	SCE-30P24	27.00	21.00
SCE-30EL3008LP	30.00	30.00	8.00	IS4	SCE-30P30	27.00	27.00
SCE-30EL3010LP	30.00	30.00	10.00	IS4	SCE-30P30	27.00	27.00
SCE-30EL3012LP	30.00	30.00	12.00	IS4	SCE-30P30	27.00	27.00
SCE-30EL3608LP	30.00	36.00	8.00	IS4	SCE-36P30	33.00	27.00
SCE-36EL2408LP	36.00	24.00	8.00	IS4	SCE-36P24	33.00	21.00

90

ENVIROLINE® SERIES SINGLE-DOOR ENCLOSURES

Enclosure Product Code E3

Sub-Panel (P3)

Catalog No.	Height (A)	Width (B)	Depth (C)	Industry Standard	Catalog No.	Panel Height (D)	Panel Width (E)
SCE-36EL2410LP	36.00	24.00	10.00	IS4	SCE-36P24	33.00	21.00
SCE-36EL2412LP	36.00	24.00	12.00	IS4	SCE-36P24	33.00	21.00
SCE-36EL2416LP	36.00	24.00	16.00	IS4	SCE-36P24	33.00	21.00
SCE-36EL3008LP	36.00	30.00	8.00	IS4	SCE-36P30	33.00	27.00
SCE-36EL3010LP	36.00	30.00	10.00	IS4	SCE-36P30	33.00	27.00
SCE-36EL3012LP	36.00	30.00	12.00	IS4	SCE-36P30	33.00	27.00
SCE-36EL3016LP	36.00	30.00	16.00	IS4	SCE-36P30	33.00	27.00
SCE-36EL3020LP	36.00	30.00	20.00	IS4	SCE-36P30	33.00	27.00
SCE-36EL3608LP	36.00	36.00	8.00	IS4	SCE-36P36	33.00	33.00
SCE-36EL3610LP	36.00	36.00	10.00	IS4	SCE-36P36	33.00	33.00
SCE-36EL3612LP	36.00	36.00	12.00	IS4	SCE-36P36	33.00	33.00
SCE-36EL3616LP	36.00	36.00	16.00	IS4	SCE-36P36	33.00	33.00
SCE-40EL2412LP	40.00	24.00	12.00	IS4	SCE-40P24	37.00	21.00
SCE-42EL2410LP	42.00	24.00	10.00	IS4	SCE-42P24	39.00	21.00
SCE-42EL3008LP	42.00	30.00	8.00	IS4	SCE-42P30	39.00	27.00
SCE-42EL3010LP	42.00	30.00	10.00	IS4	SCE-42P30	39.00	27.00
SCE-42EL3012LP	42.00	30.00	12.00	IS4	SCE-42P30	39.00	27.00
SCE-42EL3016LP	42.00	30.00	16.00	IS4	SCE-42P30	39.00	27.00
SCE-42EL3608LP	42.00	36.00	8.00	IS4	SCE-42P36	39.00	33.00
SCE-42EL3610LP	42.00	36.00	10.00	IS4	SCE-42P36	39.00	33.00
SCE-42EL3612LP	42.00	36.00	12.00	IS4	SCE-42P36	39.00	33.00
SCE-42EL3616LP	42.00	36.00	16.00	IS4	SCE-42P36	39.00	33.00
SCE-48EL2408LP	48.00	24.00	8.00	IS4	SCE-48P24	45.00	21.00
SCE-48EL2412LP	48.00	24.00	12.00	IS4	SCE-48P24	45.00	21.00
SCE-48EL3008LP	48.00	30.00	8.00	IS4	SCE-48P30	45.00	27.00
SCE-48EL3010LP	48.00	30.00	10.00	IS4	SCE-48P30	45.00	27.00
SCE-48EL3012LP	48.00	30.00	12.00	IS4	SCE-48P30	45.00	27.00
SCE-48EL3016LP	48.00	30.00	16.00	IS4	SCE-48P30	45.00	27.00
SCE-48EL3608LP	48.00	36.00	8.00	IS4	SCE-48P36	45.00	33.00
SCE-48EL3610LP	48.00	36.00	10.00	IS4	SCE-48P36	45.00	33.00
SCE-48EL3612LP	48.00	36.00	12.00	IS4	SCE-48P36	45.00	33.00
SCE-48EL3616LP	48.00	36.00	16.00	IS4	SCE-48P36	45.00	33.00
SCE-48EL3620LP	48.00	36.00	20.00	IS4	SCE-48P36	45.00	33.00
SCE-60EL2412LP	60.00	24.00	12.00	IS4	SCE-60P24	57.00	21.00
SCE-60EL3608LP	60.00	36.00	8.00	IS4	SCE-60P36	57.00	33.00
SCE-60EL3610LP	60.00	36.00	10.00	IS4	SCE-60P36	57.00	33.00
SCE-60EL3612LP	60.00	36.00	12.00	IS4	SCE-60P36	57.00	33.00
SCE-60EL3616LP	60.00	36.00	16.00	IS4	SCE-60P36	57.00	33.00
SCE-60EL3620LP	60.00	36.00	20.00	IS4	SCE-60P36	57.00	33.00
SCE-60EL3624LP	60.00	36.00	24.00	IS4	SCE-60P36	57.00	33.00
SCE-72EL3012LP	72.00	30.00	12.00	IS4	SCE-72P30	69.00	27.00
SCE-72EL3016LP	72.00	30.00	16.00	IS4	SCE-72P30	69.00	27.00
SCE-72EL3024LP	72.00	30.00	24.00	IS4	SCE-72P30	69.00	27.00
SCE-72EL3612LP	72.00	36.00	12.00	IS4	SCE-72P36	69.00	33.00
SCE-72EL3616LP	72.00	36.00	16.00	IS4	SCE-72P36	69.00	33.00
SCE-72EL3624LP	72.00	36.00	24.00	IS4	SCE-72P36	69.00	33.00





Your Enclosure Source®

ENVIROLINE® SERIES SINGLE-DOOR ENCLOSURES

RAL 7035

Application

Designed to house electrical and electronic controls, instruments and components. Provides protection from dust, oil and water. For outdoor application a drip shield is recommended. For installation information, consult our Installation Manual at www.saginawcontrol.com.

Construction

- 0.075" carbon steel.
- Seams continuously welded and ground smooth.
- Flange trough collar around all sides of door opening.
- Pour in place oil and water resistant gasket.
- Collar studs provided for mounting optional sub-panels.
- Concealed hinges.
- Removable and interchangeable doors.
- Black quarter turn latches.
- Latches are opened or closed with a screwdriver.
- Mounting holes in back of enclosure.
- Mounting hardware, sealing washers and hole plugs included.
- Removable print pocket furnished if height and width of enclosure is greater than 12".
- Ground studs on door and body.
- Provision for Lifting Lugs included on enclosures with Height >48" and with Depth >16". Lifting Lug assembly included with the enclosure bolt pack.

Finish

RAL 7035 gray powder coated inside and out. Optional sub-panels powder coated white.

Options

- Optional tamper-resistant inserts available.
- Optional mounting feet available.
- Door hardware available.

Notes

Interchangeable latches and handles available in the accessory section.

IS4 Industry Standards

- NEMA Type 3R, 4, 12 & Type 13
- UL Listed Type 3R, 4 & 12
- CSA Type 3R, 4 & 12
- IEC 60529 IP66

***To maintain Type 3R listing, Drainage is required. Install equally rated drainage device or drill a 1/8 to 1/4 inch hole in the bottom center of the enclosure, approximately 1 inch from the right, and 1 inch from the left for drainage, use listed rain-tight or wet location hubs. Drip shield over the door is recommended for all outdoor applications.

Enclosure Product Code E3

Sub-Panel (P3)

Catalog No.	Height (A)	Width (B)	Depth (C)	Industry Standard	Catalog No.	Panel Height (D)	Panel Width (E)
SCE-12EL1206LPLG	12.00	12.00	6.00	IS4	SCE-12DLP12	9.00	9.00
SCE-12EL2406LPLG	12.00	24.00	6.00	IS4	SCE-12P24	9.00	21.00
SCE-12EL2408LPLG	12.00	24.00	8.00	IS4	SCE-12P24	9.00	21.00
SCE-16EL1206LPLG	16.00	12.00	6.00	IS4	SCE-16P12	13.00	9.00
SCE-16EL1208LPLG	16.00	12.00	8.00	IS4	SCE-16P12	13.00	9.00
SCE-16EL1408LPLG	16.00	14.00	8.00	IS4	SCE-16DLP14	13.00	11.00
SCE-16EL1606LPLG	16.00	16.00	6.00	IS4	SCE-16P16	13.00	13.00
SCE-16EL1608LPLG	16.00	16.00	8.00	IS4	SCE-16P16	13.00	13.00
SCE-16EL2006LPLG	16.00	20.00	6.00	IS4	SCE-20P16	17.00	13.00
SCE-16EL2008LPLG	16.00	20.00	8.00	IS4	SCE-20P16	17.00	13.00
SCE-20EL1206LPLG	20.00	12.00	6.00	IS4	SCE-20P12	17.00	9.00
SCE-20EL1606LPLG	20.00	16.00	6.00	IS4	SCE-20P16	17.00	13.00
SCE-20EL1608LPLG	20.00	16.00	8.00	IS4	SCE-20P16	17.00	13.00
SCE-20EL1610LPLG	20.00	16.00	10.00	IS4	SCE-20P16	17.00	13.00
SCE-20EL1612LPLG	20.00	16.00	12.00	IS4	SCE-20P16	17.00	13.00
SCE-20EL2006LPLG	20.00	20.00	6.00	IS4	SCE-20P20	17.00	17.00
SCE-20EL2008LPLG	20.00	20.00	8.00	IS4	SCE-20P20	17.00	17.00
SCE-20EL2010LPLG	20.00	20.00	10.00	IS4	SCE-20P20	17.00	17.00
SCE-20EL2012LPLG	20.00	20.00	12.00	IS4	SCE-20P20	17.00	17.00
SCE-20EL2408LPLG	20.00	24.00	8.00	IS4	SCE-24P20	21.00	17.00
SCE-24EL1206LPLG	24.00	12.00	6.00	IS4	SCE-12P24	9.00	21.00
SCE-24EL1606LPLG	24.00	16.00	6.00	IS4	SCE-24P16	21.00	13.00
SCE-24EL1608LPLG	24.00	16.00	8.00	IS4	SCE-24P16	21.00	13.00
SCE-24EL2006LPLG	24.00	20.00	6.00	IS4	SCE-24P20	21.00	17.00
SCE-24EL2008LPLG	24.00	20.00	8.00	IS4	SCE-24P20	21.00	17.00
SCE-24EL2010LPLG	24.00	20.00	10.00	IS4	SCE-24P20	21.00	17.00
SCE-24EL2012LPLG	24.00	20.00	12.00	IS4	SCE-24P20	21.00	17.00
SCE-24EL2016LPLG	24.00	20.00	16.00	IS4	SCE-24P20	21.00	17.00
SCE-24EL2406LPLG	24.00	24.00	6.00	IS4	SCE-24P24	21.00	21.00
SCE-24EL2408LPLG	24.00	24.00	8.00	IS4	SCE-24P24	21.00	21.00
SCE-24EL2410LPLG	24.00	24.00	10.00	IS4	SCE-24P24	21.00	21.00
SCE-24EL2412LPLG	24.00	24.00	12.00	IS4	SCE-24P24	21.00	21.00
SCE-24EL2416LPLG	24.00	24.00	16.00	IS4	SCE-24P24	21.00	21.00
SCE-24EL3008LPLG	24.00	30.00	8.00	IS4	SCE-30P24	27.00	21.00
SCE-24EL3010LPLG	24.00	30.00	10.00	IS4	SCE-30P24	27.00	21.00
SCE-24EL3012LPLG	24.00	30.00	12.00	IS4	SCE-30P24	27.00	21.00
SCE-30EL1606LPLG	30.00	16.00	6.00	IS4	SCE-30P16	27.00	13.00
SCE-30EL2008LPLG	30.00	20.00	8.00	IS4	SCE-30P20	27.00	17.00
SCE-30EL2010LPLG	30.00	20.00	10.00	IS4	SCE-30P20	27.00	17.00
SCE-30EL2406LPLG	30.00	24.00	6.00	IS4	SCE-30P24	27.00	21.00
SCE-30EL2408LPLG	30.00	24.00	8.00	IS4	SCE-30P24	27.00	21.00
SCE-30EL2410LPLG	30.00	24.00	10.00	IS4	SCE-30P24	27.00	21.00
SCE-30EL2412LPLG	30.00	24.00	12.00	IS4	SCE-30P24	27.00	21.00
SCE-30EL2416LPLG	30.00	24.00	16.00	IS4	SCE-30P24	27.00	21.00
SCE-30EL2420LPLG	30.00	24.00	20.00	IS4	SCE-30P24	27.00	21.00
SCE-30EL2424LPLG	30.00	24.00	24.00	IS4	SCE-30P24	27.00	21.00
SCE-30EL3008LPLG	30.00	30.00	8.00	IS4	SCE-30P30	27.00	27.00
SCE-30EL3010LPLG	30.00	30.00	10.00	IS4	SCE-30P30	27.00	27.00
SCE-30EL3012LPLG	30.00	30.00	12.00	IS4	SCE-30P30	27.00	27.00
SCE-30EL3608LPLG	30.00	36.00	8.00	IS4	SCE-36P30	33.00	27.00
SCE-36EL2408LPLG	36.00	24.00	8.00	IS4	SCE-36P24	33.00	21.00

ENVIROLINE® SERIES SINGLE-DOOR ENCLOSURES

RAL 7035

Enclosure Product Code E3

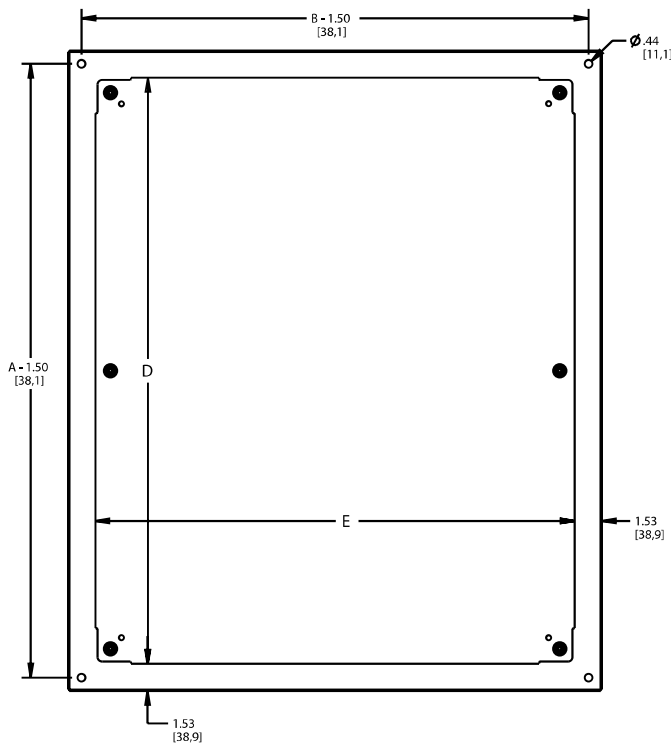
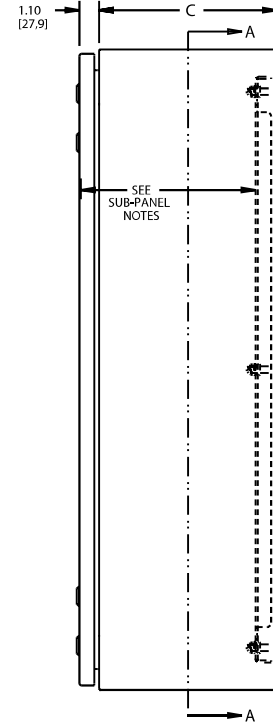
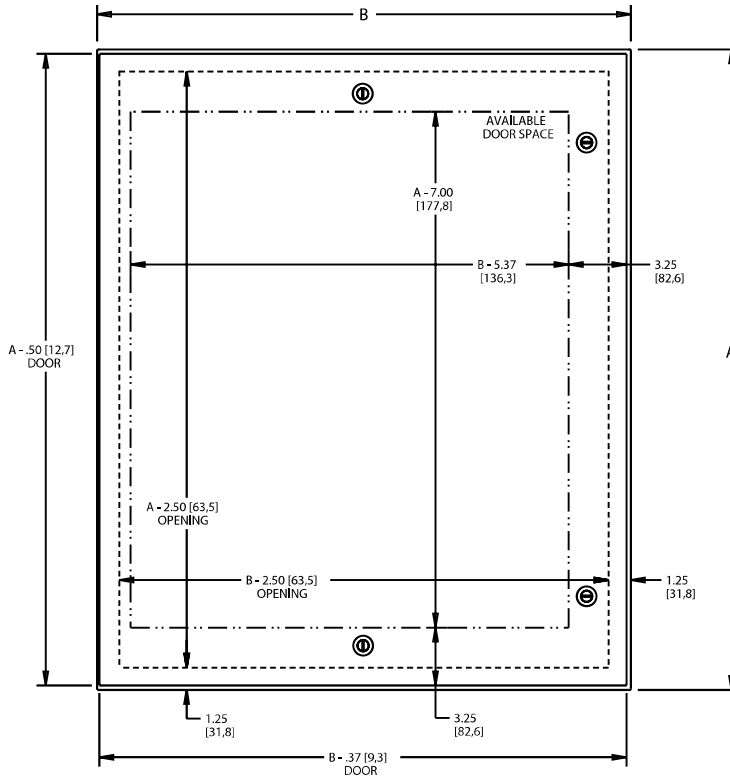
Sub-Panel (P3)

Catalog No.	Height (A)	Width (B)	Depth (C)	Industry Standard	Catalog No.	Panel Height (D)	Panel Width (E)
SCE-36EL2410LPLG	36.00	24.00	10.00	IS4	SCE-36P24	33.00	21.00
SCE-36EL2412LPLG	36.00	24.00	12.00	IS4	SCE-36P24	33.00	21.00
SCE-36EL2416LPLG	36.00	24.00	16.00	IS4	SCE-36P24	33.00	21.00
SCE-36EL3008LPLG	36.00	30.00	8.00	IS4	SCE-36P30	33.00	27.00
SCE-36EL3010LPLG	36.00	30.00	10.00	IS4	SCE-36P30	33.00	27.00
SCE-36EL3012LPLG	36.00	30.00	12.00	IS4	SCE-36P30	33.00	27.00
SCE-36EL3016LPLG	36.00	30.00	16.00	IS4	SCE-36P30	33.00	27.00
SCE-36EL3020LPLG	36.00	30.00	20.00	IS4	SCE-36P30	33.00	27.00
SCE-36EL3608LPLG	36.00	36.00	8.00	IS4	SCE-36P36	33.00	33.00
SCE-36EL3610LPLG	36.00	36.00	10.00	IS4	SCE-36P36	33.00	33.00
SCE-36EL3612LPLG	36.00	36.00	12.00	IS4	SCE-36P36	33.00	33.00
SCE-36EL3616LPLG	36.00	36.00	16.00	IS4	SCE-36P36	33.00	33.00
SCE-40EL2412LPLG	40.00	24.00	12.00	IS4	SCE-40P24	37.00	21.00
SCE-42EL2410LPLG	42.00	24.00	10.00	IS4	SCE-42P24	39.00	21.00
SCE-42EL3008LPLG	42.00	30.00	8.00	IS4	SCE-42P30	39.00	27.00
SCE-42EL3010LPLG	42.00	30.00	10.00	IS4	SCE-42P30	39.00	27.00
SCE-42EL3012LPLG	42.00	30.00	12.00	IS4	SCE-42P30	39.00	27.00
SCE-42EL3016LPLG	42.00	30.00	16.00	IS4	SCE-42P30	39.00	27.00
SCE-42EL3608LPLG	42.00	36.00	8.00	IS4	SCE-42P36	39.00	33.00
SCE-42EL3610LPLG	42.00	36.00	10.00	IS4	SCE-42P36	39.00	33.00
SCE-42EL3612LPLG	42.00	36.00	12.00	IS4	SCE-42P36	39.00	33.00
SCE-42EL3616LPLG	42.00	36.00	16.00	IS4	SCE-42P36	39.00	33.00
SCE-48EL2408LPLG	48.00	24.00	8.00	IS4	SCE-48P24	45.00	21.00
SCE-48EL2412LPLG	48.00	24.00	12.00	IS4	SCE-48P24	45.00	21.00
SCE-48EL3008LPLG	48.00	30.00	8.00	IS4	SCE-48P30	45.00	27.00
SCE-48EL3010LPLG	48.00	30.00	10.00	IS4	SCE-48P30	45.00	27.00
SCE-48EL3016LPLG	48.00	30.00	16.00	IS4	SCE-48P30	45.00	27.00
SCE-48EL3608LPLG	48.00	36.00	8.00	IS4	SCE-48P36	45.00	33.00
SCE-48EL3610LPLG	48.00	36.00	10.00	IS4	SCE-48P36	45.00	33.00
SCE-48EL3612LPLG	48.00	36.00	12.00	IS4	SCE-48P36	45.00	33.00
SCE-48EL3616LPLG	48.00	36.00	16.00	IS4	SCE-48P36	45.00	33.00
SCE-48EL3620LPLG	48.00	36.00	20.00	IS4	SCE-48P36	45.00	33.00
SCE-60EL2412LPLG	60.00	24.00	12.00	IS4	SCE-60P24	57.00	21.00
SCE-60EL3608LPLG	60.00	36.00	8.00	IS4	SCE-60P36	57.00	33.00
SCE-60EL3610LPLG	60.00	36.00	10.00	IS4	SCE-60P36	57.00	33.00
SCE-60EL3612LPLG	60.00	36.00	12.00	IS4	SCE-60P36	57.00	33.00
SCE-60EL3616LPLG	60.00	36.00	16.00	IS4	SCE-60P36	57.00	33.00
SCE-60EL3620LPLG	60.00	36.00	20.00	IS4	SCE-60P36	57.00	33.00
SCE-60EL3624LPLG	60.00	36.00	24.00	IS4	SCE-60P36	57.00	33.00
SCE-72EL3012LPLG	72.00	30.00	12.00	IS4	SCE-72P30	69.00	27.00
SCE-72EL3016LPLG	72.00	30.00	16.00	IS4	SCE-72P30	69.00	27.00
SCE-72EL3024LPLG	72.00	30.00	24.00	IS4	SCE-72P30	69.00	27.00
SCE-72EL3612LPLG	72.00	36.00	12.00	IS4	SCE-72P36	69.00	33.00
SCE-72EL3616LPLG	72.00	36.00	16.00	IS4	SCE-72P36	69.00	33.00
SCE-72EL3624LPLG	72.00	36.00	24.00	IS4	SCE-72P36	69.00	33.00



ENVIROLINE® SERIES SINGLE-DOOR ENCLOSURES

TECHNICAL DATA



SECTION A-A

SUB-PANEL NOTES:
Dimensions are from the inside of the door
C + 0.32 [8,1] for flat sub-panels
C - 0.18 [4,5] for bent sub-panels

LATCH NOTES:
Enclosures < 24.00" [609,6] in height require only one latch centered on door.
Enclosures >= 24.00" [609,6] and < 40.00" [1016] in height require two latches on door.
Enclosures >= 40.00" [1016] require three latches on door.
Omit center latch top and bottom of door when door width is <= 30.00" [762]

ENVIROLINE® SERIES SINGLE-DOOR ENCLOSURES

Enviroline® Series enclosures are an all purpose enclosure with a durable powder coat finish or #4 brushed finish in 304 & 316/316L stainless steel.

Available in carbon steel and stainless steel.

Available in disconnect styles, as well as free-standing enclosures.

Enviroline® Series enclosures are NEMA 12/3R/4 or NEMA 12/3R/4/4X enclosures with quarter turn latches.

Enviroline® Series enclosures feature the exclusive SCE removable hinge which allows the door to swing open 180 degrees.

The SCE designed hinge can be removed by pulling the pin.

The doors are interchangeable.

Flange trough collar around door opening channels liquids away from the door.

Easy to install swing-out panel kits that mount to the concealed hinges.

The quarter turn latches can be replaced with a variety of latches, including wing knob, keylocking, padlocking, coinproof, and tamper resistant inserts.

Quarter turn latches can also be replaced with several handles, including chrome keylocking & padlocking, and the black 5" and 7" SCE handles, including keylocking, padlocking, and coinproof.

A three-point latching system is available for enclosures over 40" high.

Holes in back of the enclosure for mounting or installing optional mounting foot kit (SCE-ELMFK4). A hole plug kit is included if holes are not needed.