

SLOPING FRONT 30.5MM PUSHBUTTON ENCLOSURES

Application

Designed to offer protection for all standard brands of oil-tight pushbuttons, switches, and pilot lights where slanted surfaces are desired. It offers protection from dust, dirt, oil and water. For installation information, consult our Installation Manual at www.saginawcontrol.com.

Construction

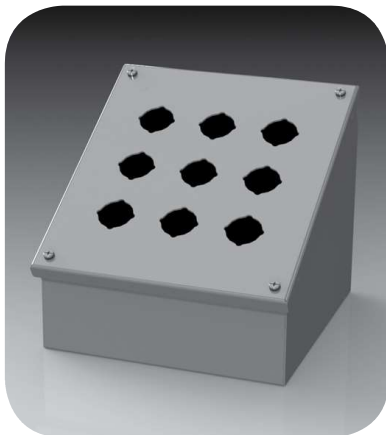
- 0.063" carbon steel.
- Continuously welded seams.
- Captivated cover screws thread into sealed wells.
- 4-way standard pushbutton holes accept all brands of oil-tight pushbuttons, switches, and pilot lights. Hole diameter is 1.20" (30.5 mm).
- Immediate removal of cover is permitted.
- Pour in place oil and water resistant gasket.
- Mounting feet included.
- Provisions for sub-panel.

Finish

ANSI-61 gray powder coated inside and out. Optional sub-panels powder coated white.

IS2 Industry Standards

NEMA Type 4, 12 & Type 13
UL Listed Type 4 & 12
CSA Type 4 & 12
IEC 60529 IP66

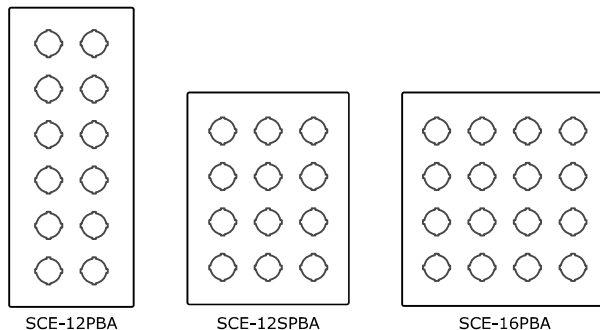
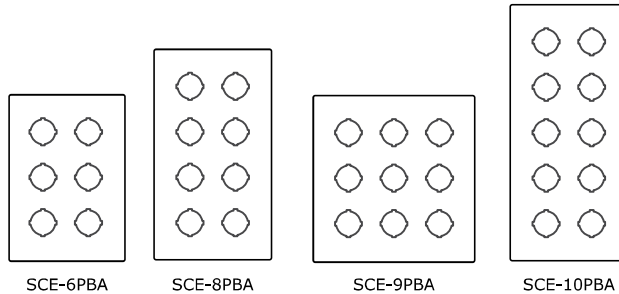
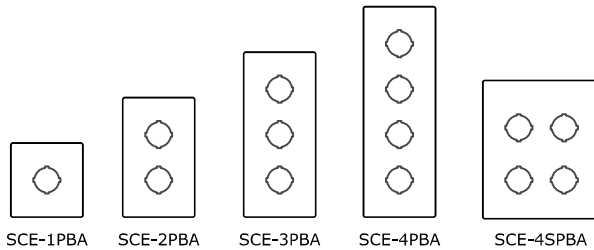


70

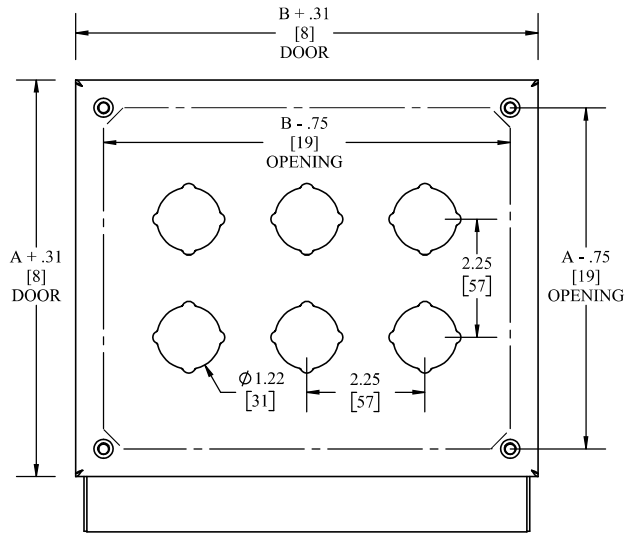
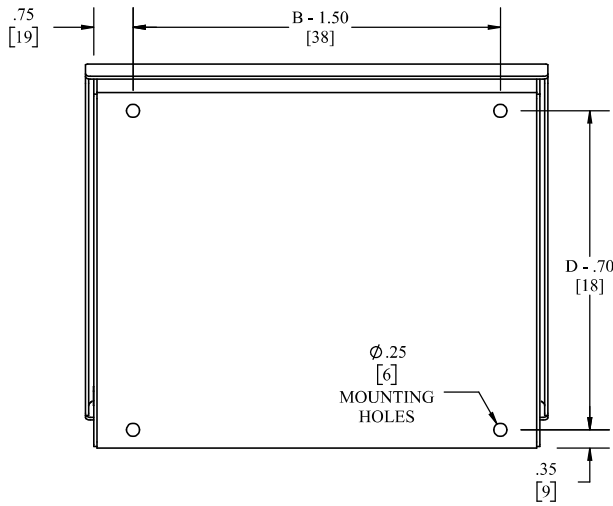
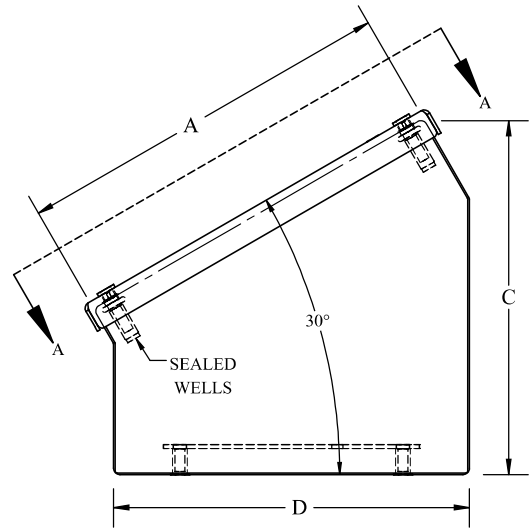
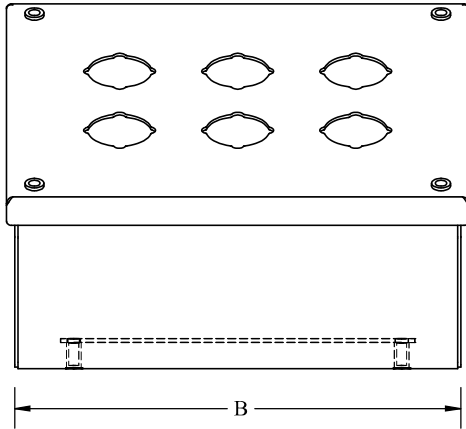
Enclosure Product Code A1

Sub-Panel (P3)

Catalog No.	Height (A)	Width (B)	Depth (C)	ref. Depth (D)	Industry Standard	Catalog No.	Panel Height (D)	Panel-Width (E)
SCE-1PBA	3.50	3.25	4.87	3.53	IS2	No Panel		
SCE-2PBA	3.50	5.50	4.87	3.53	IS2	No Panel		
SCE-3PBA	3.50	7.75	4.87	3.53	IS2	No Panel		
SCE-4PBA	3.50	10.00	4.87	3.53	IS2	No Panel		
SCE-4SPBA	7.25	6.25	6.75	6.78	IS2	SCE-6P6	5.00	5.00
SCE-6PBA	7.25	8.50	6.75	6.78	IS2	SCE-8P6	7.00	5.00
SCE-8PBA	7.25	10.75	6.75	6.78	IS2	SCE-10P6	9.00	5.00
SCE-9PBA	9.50	8.50	7.88	8.73	IS2	SCE-8P8	7.00	7.00
SCE-10PBA	7.25	13.00	6.75	6.78	IS2	SCE-12P6	11.00	5.00
SCE-12PBA	7.25	15.25	6.75	6.78	IS2	SCE-14P6	13.00	5.00
SCE-12SPBA	11.75	8.50	9.00	10.69	IS2	SCE-10P8	9.00	7.00
SCE-16PBA	11.75	10.75	9.00	10.69	IS2	SCE-10P10	9.00	9.00



SLOPING FRONT 30.5MM PUSHBUTTON ENCLOSURES TECHNICAL DATA



VIEW A-A