

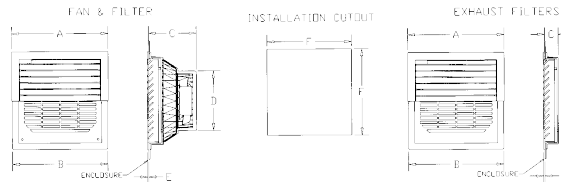
## Thermal Management

### Type 12 Fans & Filters

Easy to install snap fit design for use in enclosures that require cooling but have limited space in Type 1 & 12 applications. Housing and grille are made of black heat resistant (ABS-FR), self-extinguishing material. Includes Type 12 Filter. Fans are available in 115, 230 AC, 60/50 Hertz (Hz) single phase or 24 Volt DC.

UL Recognized Type 12

Catalog No.	Height (A)	Width (B)	Depth (C)	CFM 50/60 Hz	Product Code	Cutout Size (F)	List Price
SCE-N12FA44	5.91	5.91	2.88	26/29	P2	5.03 Sq.	152.13
SCE-N12FA66	9.84	9.84	4.75	135/159	P2	8.91 Sq.	215.08
SCE-N12FA1010	12.60	12.60	6.23	306/341	P2	11.57 Sq.	375.08
SCE-N12FA44-230	5.91	5.91	2.88	39/46	P2	5.03 Sq.	191.80
SCE-N12FA66-230	9.84	9.84	4.91	62/70	P2	8.91 Sq.	342.30
SCE-N12FA1010-230	12.80	12.80	6.30	306/341	P2	11.57 Sq.	413.11
SCE-N12FA44-24VDC	5.91	5.91	2.88	27/37	P2	5.03 Sq.	324.59
SCE-N12FA66-24VDC	9.84	9.84	4.40	82/88	P2	8.91 Sq.	401.31



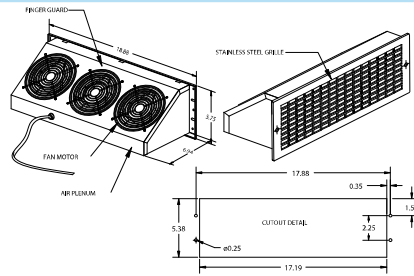
### Type 12 Exhaust Filters

Easy to install snap fit design for use on air discharge side of cooling fan package for Type 1 & 12 applications. Housing and grille are made of black heat resistant (ABS-FR), self-extinguishing material with a Type 12 filter.

UL Recognized Type 12

Catalog No.	Height (A)	Width (B)	Depth (C)	Product Code	Cutout Size (F)	List Price
SCE-N12FGA44	5.91	5.91	1.22	P2	5.03 Sq.	41.31
SCE-N12FGA66	9.84	9.84	1.42	P2	8.91 Sq.	55.08
SCE-N12FGA1010	12.80	12.80	1.42	P2	11.57 Sq.	68.85

Catalog No.	Height (A)	Width (B)	Depth (C)	CFM	Product Code	List Price
SCE-BP115	5.75	18.88	6.95	324	P2	484.30
SCE-BP230	5.75	18.88	6.95	324	P2	484.30



Catalog No.	Height (A)	Width (B)	Depth (C)	Product Code	List Price
SCE-FGABP	5.75	18.88	0.22	P2	101.89

### Blower Package (Filter and Grille)

Designed for use with SCE Fan Packages and Filter and Grille Package. Aluminum washable filters provide good air filtration.

Phone (989) 799-6871  
Fax (989) 799-4524



## Thermal Management

### Rain Hood

Designed for use with standard fan and filter kits to prevent rain, sleet, snow, dropping water or fluids from being drawn into the enclosure. Made of heavy gauge galvanized steel and powder coated ANSI-61 gray. "SS" kits are made of Type 304 stainless steel with #4 brushed finish. UL Recognized. For installation information, please consult our Installation Manual at [www.saginawcontrol.com](http://www.saginawcontrol.com).

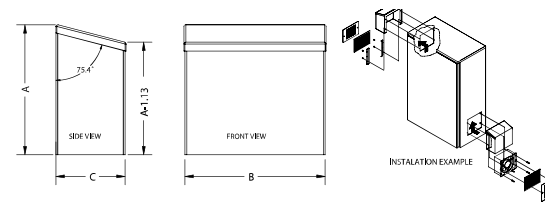
Note: Fan and Filter Kit are sold separately.

UL Recognized Type 3R

Catalog No.	Height (A)	Width (B)	Depth (C)	Product Code	List Price
SCE-RH44	8.09	7.62	4.50	P2	39.94
SCE-RH66	8.46	9.24	4.56	P2	42.60
SCE-RH1010	12.34	13.12	4.50	P2	47.93

#### Stainless Steel

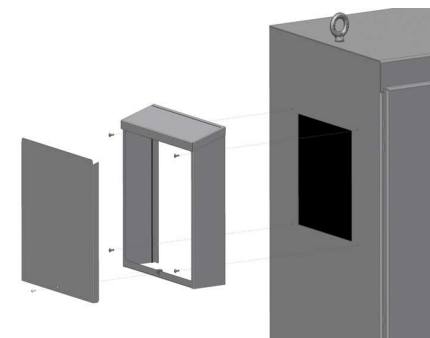
SCE-RH44SS	8.09	7.62	4.50	P2	55.91
SCE-RH66SS	8.46	9.24	4.56	P2	59.64
SCE-RH1010SS	12.34	13.12	4.50	P2	67.10



Catalog No.	Height (A)	Width (B)	Depth (C)	Product Code	List Price
SCE-RH4N12	9.44	8.25	4.50	P2	49.93
SCE-RH6N12	13.44	12.25	4.50	P2	53.25
SCE-RH10N12	16.44	15.25	4.50	P2	59.92

#### Stainless Steel

SCE-RH4N12SS	9.44	8.25	4.50	P2	69.89
SCE-RH6N12SS	13.44	12.25	4.50	P2	74.55
SCE-RH10N12SS	16.44	15.25	4.50	P2	83.87



### Rain Hood with Access Cover

Designed for use with Type 12 fan and filter kits to prevent rain, sleet, snow, dropping water or fluids from being drawn into the enclosure. Removable cover for easy access to fan and filter kits. Made of heavy gauge galvanized steel and powder coated ANSI-61 gray. "SS" kits are made of Type 304 stainless steel with #4 brushed finish. UL Recognized. For installation information, please consult our Installation Manual at [www.saginawcontrol.com](http://www.saginawcontrol.com).

Note: Fan and Filter Kit are sold separately.

UL Recognized Type 3R



Phone (989) 799-6871  
Fax (989) 799-4524

[Back to Accessories](#)