

316 Stainless Steel Enviroline® Series Enclosures

Application -

Designed to house electrical and electronic controls, instruments and components in areas which may be regularly hosed down or are in very wet conditions. Provides protection from dust, dirt, oil, and water. For outdoor application a drip shield is recommended. For installation information, consult our Installation Manual at www.saginawcontrol.com.

Construction -

- 0.075" stainless steel Type 316/316L.
- Seams continuously welded and ground smooth.
- Flange trough collar around all sides of door opening.
- Oil-resistant gasket.
- Collar studs provided for mounting optional sub-panels.
- Stainless steel concealed hinge.
- Removable and interchangeable doors.
- Black quarter turn latches.
- Latches are opened or closed with a screwdriver (optional tamper-resistant inserts are available).
- Mounting holes in back of enclosure.
- Mounting hardware, sealing washer and hole plug included.
- Removable print pocket.
- Ground studs on door and body.

Options -

- Optional mounting feet available.
- Door hardware available.

Finish -

#4 brushed finish on all exterior surfaces. Optional sub-panels are powder coated white.

ISS - Industry Standards -

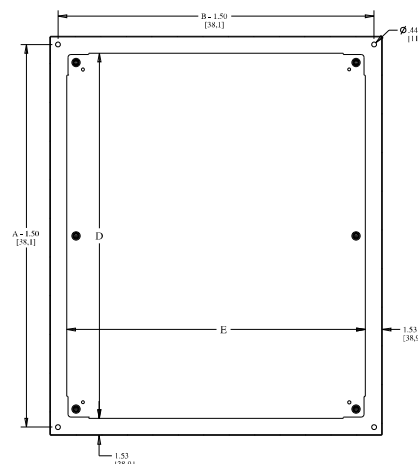
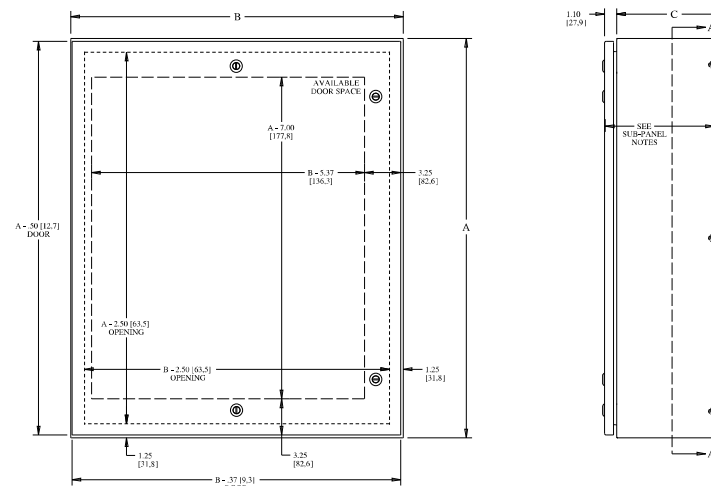
NEMA Type 4, 4X, 12 & Type 13
UL Listed Type 4, 4X & 12
CSA Type 4, 4X & 12
IEC 60529 IP66



316 STAINLESS STEEL ENVIROLINE® SERIES ENCLOSURES

ENCLOSURE PRODUCT CODE S7						SUB-PANEL (P3)			
Catalog No.	Height (A)	Width (B)	Depth (C)	Industry Standard	List Price	Catalog No.	Panel Height (D)	Panel Width (E)	List Price
SCE-12EL1206SS6LP	12.00	12.00	6.00	ISS	643.39	SCE-12DLP12	9.00	9.00	13.67
SCE-12EL2406SS6LP	12.00	24.00	6.00	ISS	855.14	SCE-12P24	9.00	21.00	27.86
SCE-16EL1206SS6LP	16.00	12.00	6.00	ISS	708.54	SCE-16P12	13.00	9.00	14.81
SCE-16EL1208SS6LP	16.00	12.00	8.00	ISS	757.41	SCE-16P12	13.00	9.00	14.81
SCE-16EL1606SS6LP	16.00	16.00	6.00	ISS	785.11	SCE-16P16	13.00	13.00	24.57
SCE-16EL1608SS6LP	16.00	16.00	8.00	ISS	825.83	SCE-16P16	13.00	13.00	24.57
SCE-16EL2008SS6LP	16.00	20.00	8.00	ISS	925.17	SCE-20P16	17.00	13.00	30.37
SCE-20EL1606SS6LP	20.00	16.00	6.00	ISS	871.43	SCE-20P16	17.00	13.00	30.37
SCE-20EL1608SS6LP	20.00	16.00	8.00	ISS	925.17	SCE-20P16	17.00	13.00	30.37
SCE-20EL1610SS6LP	20.00	16.00	10.00	ISS	987.08	SCE-20P16	17.00	13.00	30.37
SCE-20EL2008SS6LP	20.00	20.00	6.00	ISS	952.88	SCE-20P20	17.00	17.00	35.44
SCE-20EL2008SS6LP	20.00	20.00	8.00	ISS	1,024.54	SCE-20P20	17.00	17.00	35.44
SCE-20EL2010SS6LP	20.00	20.00	10.00	ISS	1,091.33	SCE-20P20	17.00	17.00	35.44
SCE-20EL2408SS6LP	20.00	24.00	8.00	ISS	1,120.64	SCE-24P20	21.00	17.00	45.57
SCE-24EL1608SS6LP	24.00	16.00	8.00	ISS	1,008.25	SCE-24P16	21.00	13.00	32.92
SCE-24EL2008SS6LP	24.00	20.00	6.00	ISS	1,068.52	SCE-24P20	21.00	17.00	45.57
SCE-24EL2008SS6LP	24.00	20.00	8.00	ISS	1,120.64	SCE-24P20	21.00	17.00	45.57
SCE-24EL2010SS6LP	24.00	20.00	10.00	ISS	1,197.20	SCE-24P20	21.00	17.00	45.57
SCE-24EL2012SS6LP	24.00	20.00	12.00	ISS	1,270.49	SCE-24P20	21.00	17.00	45.57
SCE-24EL2408SS6LP	24.00	24.00	8.00	ISS	1,231.40	SCE-24P24	21.00	21.00	53.18
SCE-24EL2410SS6LP	24.00	24.00	10.00	ISS	1,316.08	SCE-24P24	21.00	21.00	53.18
SCE-24EL2412SS6LP	24.00	24.00	12.00	ISS	1,400.80	SCE-24P24	21.00	21.00	53.18
SCE-24EL2416SS6LP	24.00	24.00	16.00	ISS	1,588.12	SCE-24P24	21.00	21.00	53.18
SCE-24EL3008SS6LP	24.00	30.00	8.00	ISS	1,399.17	SCE-30P24	27.00	21.00	63.29
SCE-24EL3010SS6LP	24.00	30.00	10.00	ISS	1,505.04	SCE-30P24	27.00	21.00	63.29
SCE-30EL1606SS6LP	30.00	16.00	6.00	ISS	1,172.77	SCE-30P16	27.00	13.00	45.57
SCE-30EL2008SS6LP	30.00	20.00	8.00	ISS	1,270.49	SCE-30P20	27.00	17.00	55.70
SCE-30EL2010SS6LP	30.00	20.00	10.00	ISS	1,376.37	SCE-30P20	27.00	17.00	55.70
SCE-30EL2408SS6LP	30.00	24.00	8.00	ISS	1,400.80	SCE-30P24	27.00	21.00	63.29
SCE-30EL2410SS6LP	30.00	24.00	10.00	ISS	1,506.67	SCE-30P24	27.00	21.00	63.29
SCE-30EL2412SS6LP	30.00	24.00	12.00	ISS	1,596.26	SCE-30P24	27.00	21.00	63.29
SCE-30EL2416SS6LP	30.00	24.00	16.00	ISS	1,759.14	SCE-30P24	27.00	21.00	63.29
SCE-30EL3008SS6LP	30.00	30.00	8.00	ISS	1,604.41	SCE-30P30	27.00	27.00	83.55
SCE-30EL3010SS6LP	30.00	30.00	10.00	ISS	1,702.14	SCE-30P30	27.00	27.00	83.55
SCE-30EL3012SS6LP	30.00	30.00	12.00	ISS	1,808.01	SCE-30P30	27.00	27.00	83.55
SCE-30EL3608SS6LP	30.00	36.00	8.00	ISS	1,794.98	SCE-36P30	33.00	27.00	101.27
SCE-36EL2408SS6LP	36.00	24.00	8.00	ISS	1,579.97	SCE-36P24	33.00	21.00	75.96
SCE-36EL2410SS6LP	36.00	24.00	10.00	ISS	1,685.86	SCE-36P24	33.00	21.00	75.96
SCE-36EL3008SS6LP	36.00	30.00	8.00	ISS	1,794.98	SCE-36P30	33.00	27.00	101.27
SCE-36EL3010SS6LP	36.00	30.00	10.00	ISS	1,928.54	SCE-36P30	33.00	27.00	101.27
SCE-36EL3012SS6LP	36.00	30.00	12.00	ISS	2,044.18	SCE-36P30	33.00	27.00	101.27
SCE-36EL3608SS6LP	36.00	36.00	8.00	ISS	2,068.63	SCE-36P36	33.00	33.00	118.99
SCE-36EL3612SS6LP	36.00	36.00	12.00	ISS	2,296.66	SCE-36P36	33.00	33.00	118.99
SCE-42EL2410SS6LP	42.00	24.00	10.00	ISS	1,954.61	SCE-42P24	39.00	21.00	91.14
SCE-42EL3010SS6LP	42.00	30.00	10.00	ISS	2,140.28	SCE-42P30	39.00	27.00	116.47
SCE-42EL3612SS6LP	42.00	36.00	12.00	ISS	2,527.96	SCE-42P36	39.00	33.00	136.72
SCE-42EL3616SS6LP	42.00	36.00	16.00	ISS	2,684.32	SCE-42P36	39.00	33.00	136.72
SCE-48EL3612SS6LP	48.00	36.00	12.00	ISS	2,801.61	SCE-48P36	45.00	33.00	154.46
SCE-48EL3616SS6LP	48.00	36.00	16.00	ISS	3,054.06	SCE-48P36	45.00	33.00	154.46
SCE-60EL3612SS6LP	60.00	36.00	12.00	ISS	3,306.53	SCE-60P36	57.00	33.00	189.89
SCE-60EL3616SS6LP	60.00	36.00	16.00	ISS	3,567.15	SCE-60P36	57.00	33.00	189.89
SCE-72EL3016SS6LP	72.00	30.00	16.00	ISS	3,827.77	SCE-72P30	69.00	27.00	210.15
SCE-72EL3612SS6LP	72.00	36.00	12.00	ISS	3,933.84	SCE-72P36	69.00	33.00	225.33
SCE-72EL3616SS6LP	72.00	36.00	16.00	ISS	4,153.63	SCE-72P36	69.00	33.00	225.33

STAINLESS STEEL ENVIROLINE® SERIES ENCLOSURES TECHNICAL DATA



SECTION A-A

SUB-PANEL NOTES:
Dimensions are from the inside of the door
C = 0.32 [8.1] for flat sub-panels
C = 0.18 [4.5] for bent sub-panels

LATCH NOTES:
Enclosures < 24.00" [609.6] in height require only one latch centered on door.
Enclosures = 24.00" [609.6] and < 40.00" [1016] in height require two latches on door.
Enclosures >= 40.00" [1016] require three latches on door.
Omit center latch top and bottom of door when door width is <= 30.00" [762]



Phone (989) 799-6871
Fax (989) 799-4524

Back to
SS Wall-Mount
Enclosures