

Multi-Door Free-Standing / Wall-Mount Enclosures For Flange-Mounted Disconnects

Application -
Designed to easily accommodate various types of mounting methods with minimal modifications. Provisions are provided in the back of the enclosure for wall or frame mounting, and in the bottom for wall mount brackets, frame mount, or partial provisions for a floor stand kit. Enclosure is designed to house most standard type disconnects. For installation information, consult our Installation Manual at www.saginawcontrol.com.

- Construction -**
- 0.104" carbon steel.
 - Seams continuously welded and ground smooth.
 - Flange trough collar around all sides of door opening.
 - Body stiffeners in large enclosures for extra rigidity.
 - Heavy duty lifting eyes anchor into reinforced top.
 - Removable center posts permit easy sub-panel installation.
 - Concealed hinges.
 - Black zinc die cast coil/nut/rod/locking hardware with black zinc die cast padlocking handle on 60 series doors.
 - 3-point latching mechanism.
 - Ends of latch rods have ramp shoes for easier door closing.
 - Panel supports.
 - Large removable print pockets.
 - Oil-resistant gasket.
 - Defeater on master door requires a screwdriver to open.
 - Ground stud on door and body.
 - Collar studs for mounting optional sub-panel.
 - Provisions for light kit.
 - Hole plugs provided to seal holes in bottom of enclosure.
- Disconnect switch (or circuit breaker) and operating mechanism are not furnished with enclosure.**

Finish -
ANSI-61 gray powder coated inside and out. Optional sub-panels powder coated white.

- IS3 - Industry Standards -**
NEMA Type 3R, 12 & Type 13
UL Listed Type 3R & 12
CSA Type 3R & 12
IEC 60529 IP55
- IS4 - Industry Standards -**
NEMA Type 3R, 4, 12 & Type 13
UL Listed Type 3R, 4 & 12
CSA Type 3R, 4 & 12
IEC 60529 IP66

***Special Instructions apply for IS3, IS4 and IS6 to maintain the environmental rating of Type 3R for these parts. See the Special Instructions on the Industry Standards page in the Technical Information Section.

TWO-DOOR FREE-STANDING / WALL-MOUNT ENCLOSURES FOR FLANGE-MOUNTED DISCONNECTS

Catalog No.	ENCLOSURE PRODUCT CODE A2			SUB-PANEL (P3)			List Price		
	Height (A)	Width (B)	Depth (C)	Height (D)	Width (E)	Panel			
SCE-39X2D5412	36.00	53.75	12.00	IS4	1,463.80	SCE-39P52	32.00	48.00	161.54
SCE-49X2D5412	42.00	53.75	12.00	IS4	1,530.37	SCE-49P52	38.00	48.00	206.39
SCE-48X2D7812	48.00	77.75	12.00	IS3	1,904.94	SCE-48P76	44.00	72.00	351.48
SCE-60X2D7818	60.00	77.75	18.00	IS3	2,125.52	SCE-60P76	44.00	72.00	351.48
SCE-60X2D7818	60.00	77.75	18.00	IS3	2,899.70	SCE-60P76	56.00	72.00	411.28

Catalog No.	ENCLOSURE PRODUCT CODE A2			SUB-PANEL (P3)			List Price		
	Height (A)	Width (B)	Depth (C)	Height (D)	Width (E)	Panel			
SCE-48X3D11818	48.00	117.50	18.00	IS3	3,066.56	SCE-48P76	44.00	72.00	351.48
SCE-48X3D11818	48.00	117.50	18.00	IS3	4,186.87	SCE-48P76 (2)	44.00	72.00	351.48

Application -
Designed to easily accommodate various types of mounting methods with minimal modifications. Provisions are provided in the back of the enclosure for wall or frame mounting, and in the bottom for wall mount brackets, frame mount, or partial provisions for a floor stand kit. Enclosure is designed to house most standard type disconnects. For installation information, consult our Installation Manual at www.saginawcontrol.com.

- Construction -**
- 0.104" carbon steel.
 - Seams continuously welded and ground smooth.
 - Flange trough collar around all sides of door opening.
 - Body stiffeners in large enclosures for extra rigidity.
 - Heavy duty lifting eyes anchor into reinforced top.
 - Removable center posts permit easy sub-panel installation.
 - Concealed hinges.
 - Black zinc die cast coil/nut/rod/locking hardware with black zinc die cast padlocking handle on 60 series doors.
 - 3-point latching mechanism.
 - Ends of latch rods have ramp shoes for easier door closing.
 - Panel supports.
 - Large removable print pockets.
 - Oil-resistant gasket.
 - Defeater on master door requires a screwdriver to open.
 - Ground stud on door and body.
 - Collar studs for mounting optional sub-panel.
 - Provisions for light kit.
 - Hole plugs provided to seal holes in bottom of enclosure.
- Disconnect switch (or circuit breaker) and operating mechanism are not furnished with enclosure.**

Finish -
ANSI-61 gray powder coated inside and out. Optional sub-panels powder coated white.

- IS3 - Industry Standards -**
NEMA Type 3R, 12 & Type 13
UL Listed Type 3R & 12
CSA Type 3R & 12
IEC 60529 IP55
- IS4 - Industry Standards -**
NEMA Type 3R, 4, 12 & Type 13
UL Listed Type 3R, 4 & 12
CSA Type 3R, 4 & 12
IEC 60529 IP66

***Special Instructions apply for IS3, IS4 and IS6 to maintain the environmental rating of Type 3R for these parts. See the Special Instructions on the Industry Standards page in the Technical Information Section.



Back to Free-Standing Enclosures

Phone (989) 799-6871
Fax (989) 799-4524



THREE-DOOR FREE-STANDING / WALL-MOUNT ENCLOSURES FOR FLANGE-MOUNTED DISCONNECTS

Catalog No.	ENCLOSURE PRODUCT CODE A2			SUB-PANEL (P3)			List Price		
	Height (A)	Width (B)	Depth (C)	Height (D)	Width (E)	Panel			
SCE-48X3D11818	48.00	117.50	18.00	IS3	3,066.56	SCE-48P76	44.00	72.00	351.48
SCE-48X3D11818	48.00	117.50	18.00	IS3	4,186.87	SCE-48P76 (2)	44.00	72.00	351.48

Catalog No.	ENCLOSURE PRODUCT CODE A2			SUB-PANEL (P3)			List Price		
	Height (A)	Width (B)	Depth (C)	Height (D)	Width (E)	Panel			
SCE-48X4D15818	48.00	157.50	18.00	IS3	4,186.87	SCE-48P76 (2)	44.00	72.00	351.48

FOUR-DOOR FREE-STANDING / WALL-MOUNT ENCLOSURES FOR FLANGE-MOUNTED DISCONNECTS

Catalog No.	ENCLOSURE PRODUCT CODE A2			SUB-PANEL (P3)			List Price		
	Height (A)	Width (B)	Depth (C)	Height (D)	Width (E)	Panel			
SCE-48X4D15818	48.00	157.50	18.00	IS3	4,186.87	SCE-48P76 (2)	44.00	72.00	351.48

Application -
Designed to easily accommodate various types of mounting methods with minimal modifications. Provisions are provided in the back of the enclosure for wall or frame mounting, and in the bottom for wall mount brackets, frame mount, or partial provisions for a floor stand kit. Enclosure is designed to house most standard type disconnects. For installation information, consult our Installation Manual at www.saginawcontrol.com.



Construction -

- 0.104" carbon steel.
- Seams continuously welded and ground smooth.
- Flange trough collar around all sides of door opening.
- Body stiffeners in large enclosures for extra rigidity.
- Heavy duty lifting eyes anchor into reinforced top.
- Removable center posts permit easy sub-panel installation.
- Concealed hinges.
- Black zinc die cast coil/nut/rod/locking hardware with black zinc die cast padlocking handle on 60 series doors.
- 3-point latching mechanism.
- Ends of latch rods have ramp shoes for easier door closing.
- Panel supports.
- Large removable print pockets.
- Oil-resistant gasket.
- Defeater on master door requires a screwdriver to open.
- Ground stud on door and body.
- Collar studs for mounting optional sub-panel.
- Provisions for light kit.
- Hole plugs provided to seal holes in bottom of enclosure.

Disconnect switch (or circuit breaker) and operating mechanism are not furnished with enclosure.

Finish -
ANSI-61 gray powder coated inside and out. Optional sub-panels powder coated white.

- IS3 - Industry Standards -**
NEMA Type 3R, 12 & Type 13
UL Listed Type 3R & 12
CSA Type 3R & 12
IEC 60529 IP55
- IS4 - Industry Standards -**
NEMA Type 3R, 4, 12 & Type 13
UL Listed Type 3R, 4 & 12
CSA Type 3R, 4 & 12
IEC 60529 IP66

***Special Instructions apply for IS3, IS4 and IS6 to maintain the environmental rating of Type 3R for these parts. See the Special Instructions on the Industry Standards page in the Technical Information Section.

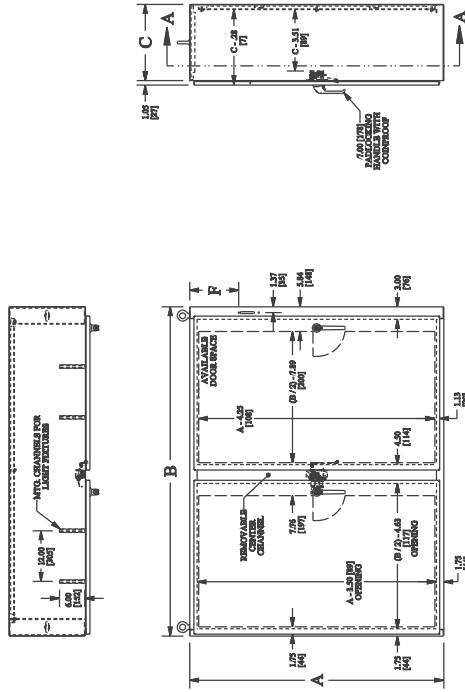
Phone (989) 799-6871
Fax (989) 799-4524



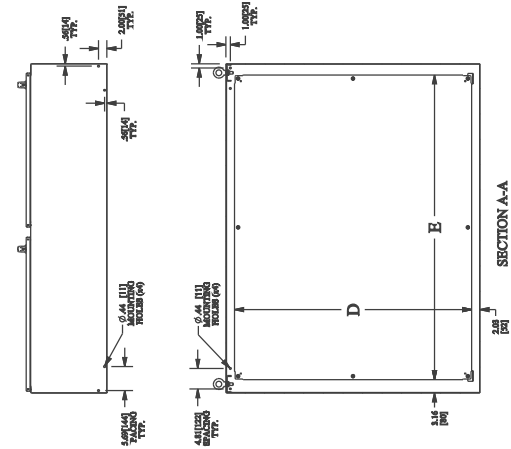
MULTI-DOOR FREE-STANDING / WALL-MOUNT ENCLOSURES FOR FLANGE-MOUNTED DISCONNECTS

TECHNICAL DATA

TWO-DOOR ENCLOSURE



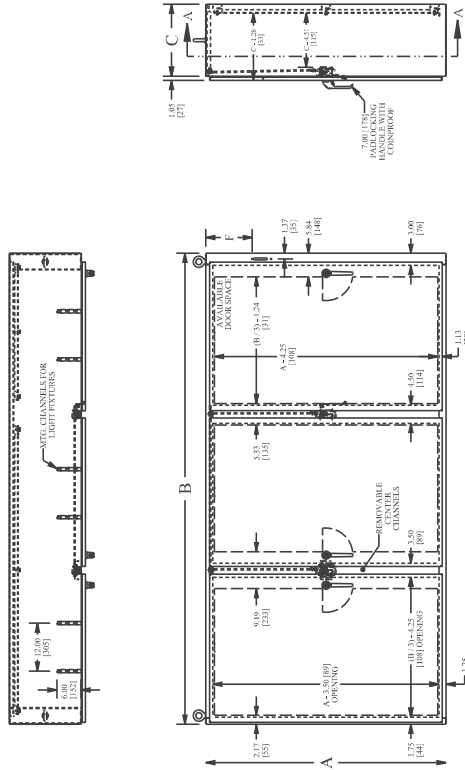
DISCONNECT NOTES:
 F = 4.75 [121] when C = 8.00 [203]
 F = 7.09 [180] when C = 10.00 [254]
 F = 11.62 [295] when C = 18.00 [457]



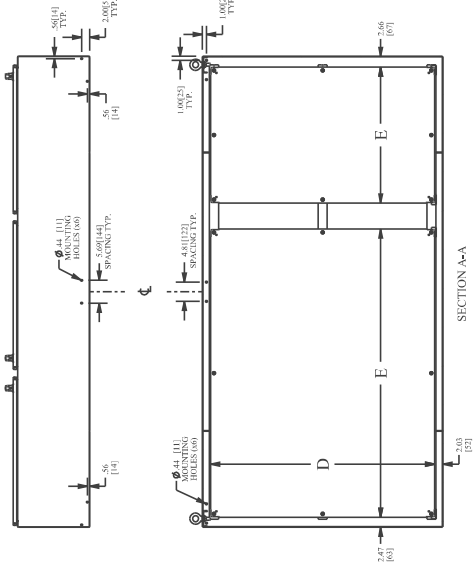
MULTI-DOOR FREE-STANDING / WALL-MOUNT ENCLOSURES FOR FLANGE-MOUNTED DISCONNECTS

TECHNICAL DATA

THREE-DOOR ENCLOSURE



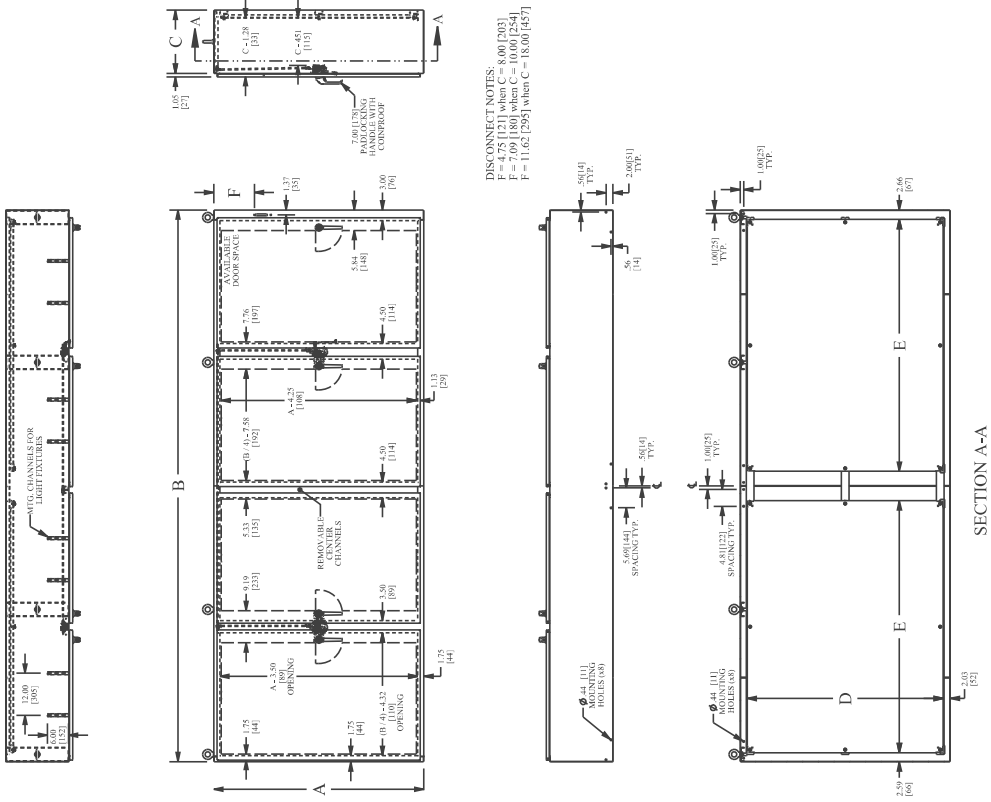
DISCONNECT NOTES:
 F = 4.75 [121] when C = 8.00 [203]
 F = 7.09 [180] when C = 10.00 [254]
 F = 11.62 [295] when C = 18.00 [457]



MULTI-DOOR FREE-STANDING / WALL-MOUNT ENCLOSURES FOR FLANGE-MOUNTED DISCONNECTS

TECHNICAL DATA

FOUR-DOOR ENCLOSURE



MULTI-DOOR FREE-STANDING / WALL-MOUNT ENCLOSURES FOR FLANGE-MOUNTED DISCONNECTS

TECHNICAL DATA

INSTALLATION OPTIONS

