

"T" Handle Kit



A Pentair Company

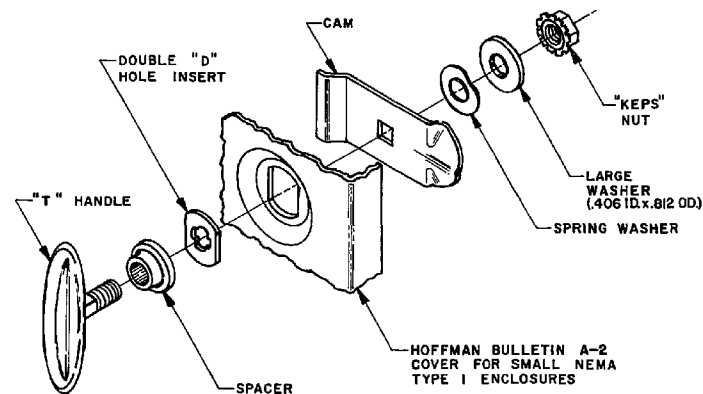
Hoffman Enclosures Inc.
2100 Hoffman Way
Anoka, MN 55303-1745
(763) 422-2211 Tel
www.hoffmanonline.com

WARNING

To avoid electric shock, do not energize any circuits before all internal and external electrical and mechanical clearances are checked to assure that all assembled equipment functions safely and properly.

INSTALLATION INSTRUCTIONS:

1. Remove standard latch by removing keps nut on rear with 7/16 inch wrench.
2. Place spacer over spindle of "T" handle and position with double "D" hole insert in cover emboss hole.
3. Place the cam, spring washer, and large washer over the spindle of the handle on the inside of the cover and fasten with keps nut.



Rev. A 103403

© 2002 Hoffman Enclosures Inc.

P/N 99401644

87569065