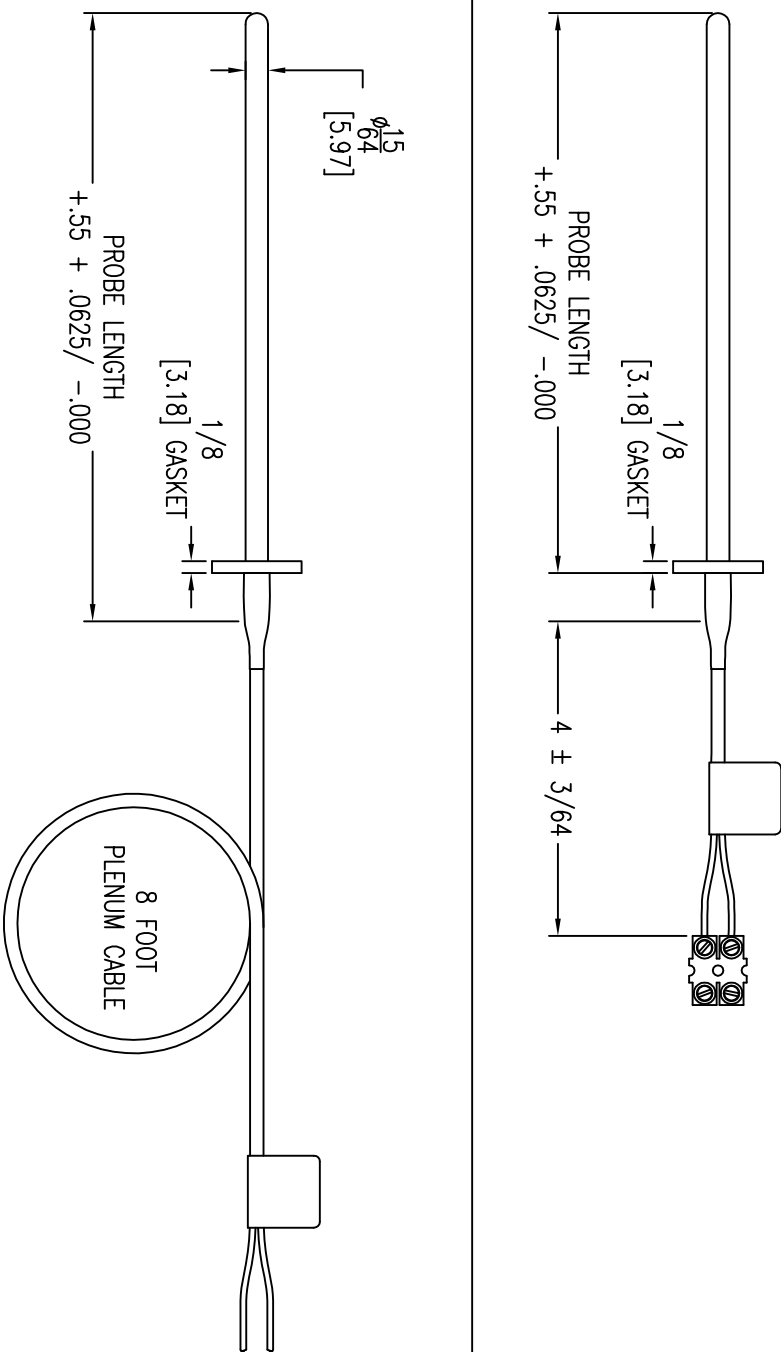
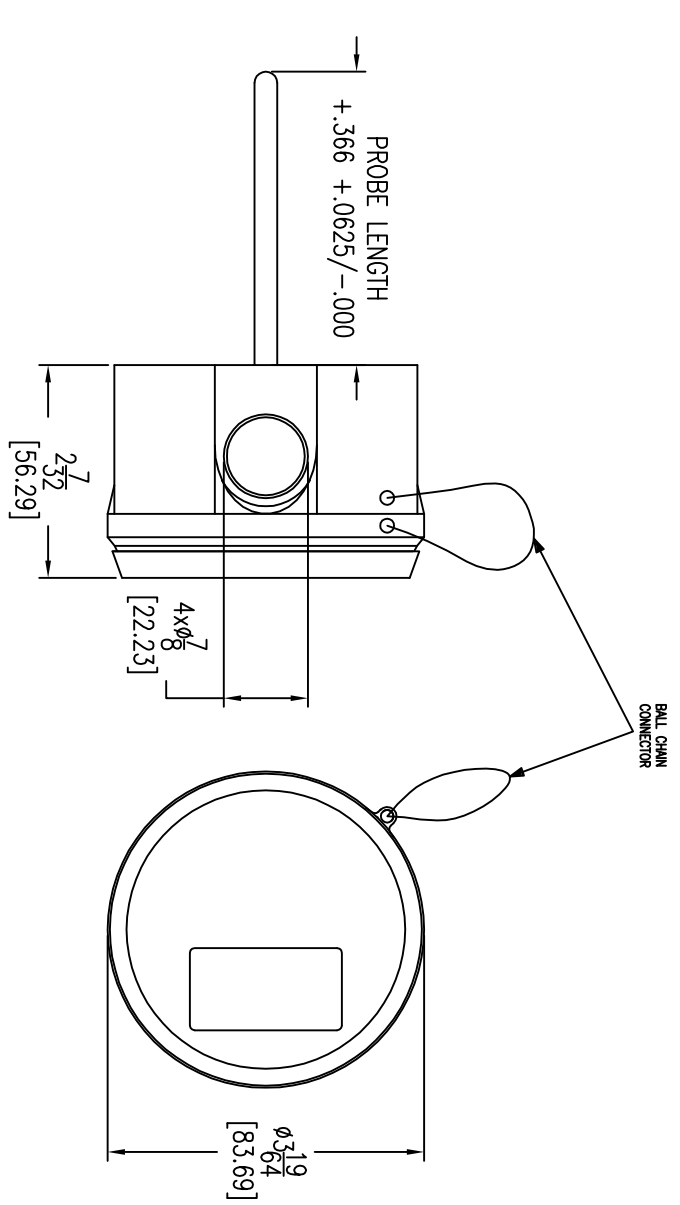
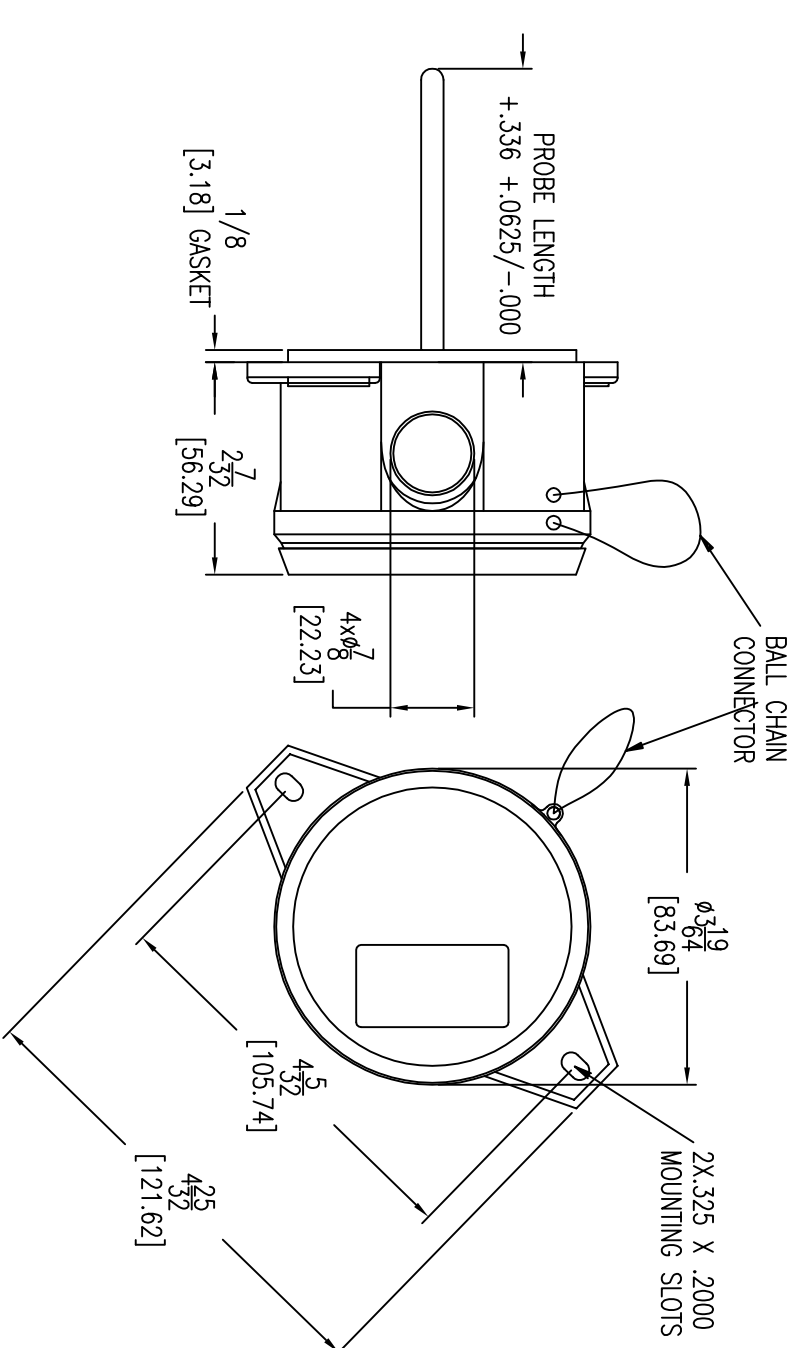


TE-1



TE-D



Ⓜ = CRITICAL DIMENSION  
STANDARD TOLERANCES UNLESS NOTED:  
ALL DECIMAL DIMENSIONS ± .005  
ALL ANGLES ± 1°

CHANGES				DATE		NAME		FINISH	
NO.	BY	DATE	DESCRIPTION	DATE	NAME	FINISH	DATE	NAME	NO.

NO.		DATE		NAME		FINISH	


TE-1 & TE-D  
DUCT AND IMMERSION  
BUILDING AUTOMATION  
TEMPERATURE SENSOR

ACAD2002

FR. NO. 3

**Dwyer Instruments, Inc.**  
MICHIGAN CITY, INDIANA 46360 U.S.A.

NOTICE: This drawing and the principles and elements of design embodied therein are the exclusive property of Dwyer Instruments, Inc., and are not to be reproduced, stored in a retrieval system, or transmitted in any form or by any means, electronic, mechanical, photocopying, recording, or by any information storage and retrieval system, without the prior written consent of said corporation.