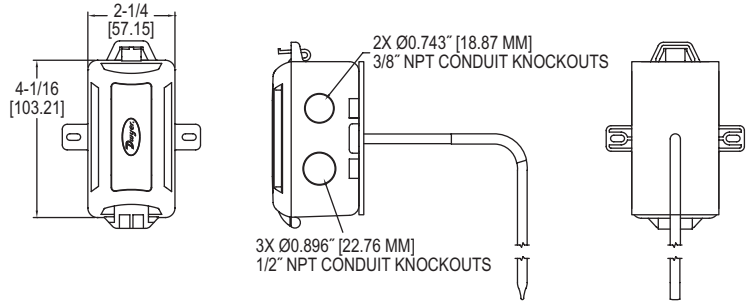


# AVERAGING TEMPERATURE SENSOR

Available in 12' or 24' Lengths



The **Series AVG Averaging Temperature Sensor** can be used to measure the average temperature up stream of the cooling coils in an air handler. The coiled sensor unwinds to a length of 12' or 24' to take an average temperature reading across a large space. The housing has multiple knockouts to reduce the time to install conduit. The Series CC1 mounting brackets can be used to secure the capillary to the wall of the air handler without kinking. The Series AVG can be ordered with a choice of 11 output options that allow it to communicate to any standard building control system.

**FEATURES/BENEFITS**

- Cooper capillary offers improved thermal conductivity
- Capillary size fits most metal or plastic mounting clips allowing for easy installation

**APPLICATIONS**

- Building Automation
- Air handling equipment monitoring
- Large air duct temperature monitoring

**SPECIFICATIONS**

**Accuracy:** Platinum RTD: ±0.6% @ 32°F (0°C); Nickel RTD: ±0.5°F @ 32°F (0°C); Balco RTD: ±0.1% @ 32°F (0°C); Thermistors: ±0.36°F from 32 to 158°F (0 to 70°C).  
**Operating Temperature:** -32 to 240°F (-35.5 to 115.5°C).  
**Capillary Length:** 12' or 24' depending on model.  
**Cable Length:** 8".  
**Probe Material:** Bendable copper capillary.  
**Mounting:** Flanged mounting ears.

MODEL CHART		
Model	Sensor Type	Capillary Length
AVG-22121	PT 1000 Ω RTD	12'
AVG-23121	Ni 1000 Ω RTD	12'
AVG-24121	Balco 1000 Ω RTD	12'
AVG-25121	10K Ω Type 2 Thermistor	12'
AVG-26121	3K Ω Thermistor	12'
AVG-27121	5K Ω Thermistor	12'
AVG-29121	20K Ω Thermistor	12'
AVG-2B121	10K Ω Type 3 Thermistor	12'
AVG-22241	PT 1000 Ω RTD	24'
AVG-23241	Ni 1000 Ω RTD	24'
AVG-24241	Balco 1000 Ω RTD	24'
AVG-25241	10K Ω Type 2 Thermistor	24'
AVG-26241	3K Ω Thermistor	24'
AVG-27241	5K Ω Thermistor	24'
AVG-29241	20K Ω Thermistor	24'
AVG-2B241	10K Ω Type 3 Thermistor	24'