

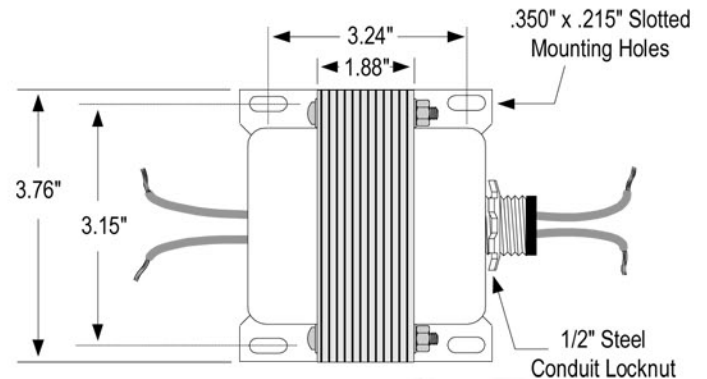
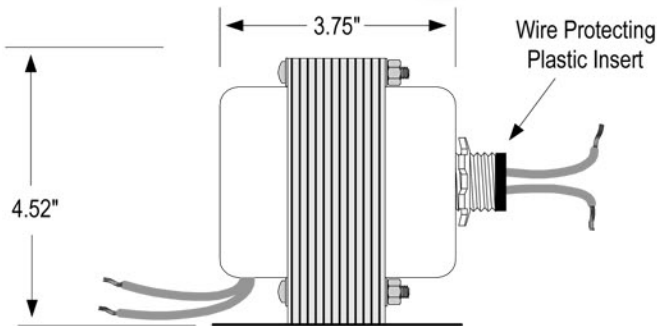
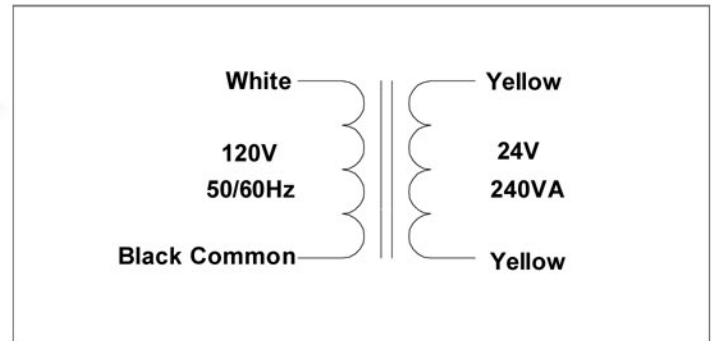
ENCLOSED CONTROL TRANSFORMER

LE12573

120-024-240-TFBO



240_{Va}



SPECIFICATIONS

| | |
|-------------------------------|---|
| Input: | 120 Vac |
| Output: | 24 Vac |
| VA Rating: | 240VA |
| Frequency: | 50/60Hz |
| Circuit Protection: | Internally Protected |
| Configuration: | Enclosed Split Bobbin Design with Steel End Bells |
| Mounting(s): | Slotted Foot Mounts & Threaded Flange Hubs |
| Primary Connections: | UL 1015 Insulated 18AWG Lead Wires, 12" Long, .375" ends Stripped & Tinned |
| Secondary Connections: | UL 1015 Insulated 14AWG Lead Wires, 12" Long, .375" ends Stripped & Tinned |
| Insulation System: | UL 1446 Recognized Component Class B Insulation System PG125 (130°C, 266°F) |
| Agency Approvals: | UL 506 Recognized for USA & Canada. General Purpose Transformer |

