

TOLERANCE: (UNLESS NOTED)

1 PLACE DECIMAL = ±0.050
 2 PLACE DECIMAL = ±0.020
 3 PLACE DECIMAL = ±0.005
 ALL DIMENSIONS IN inches [mm].
 DRAWING NOT TO SCALE.

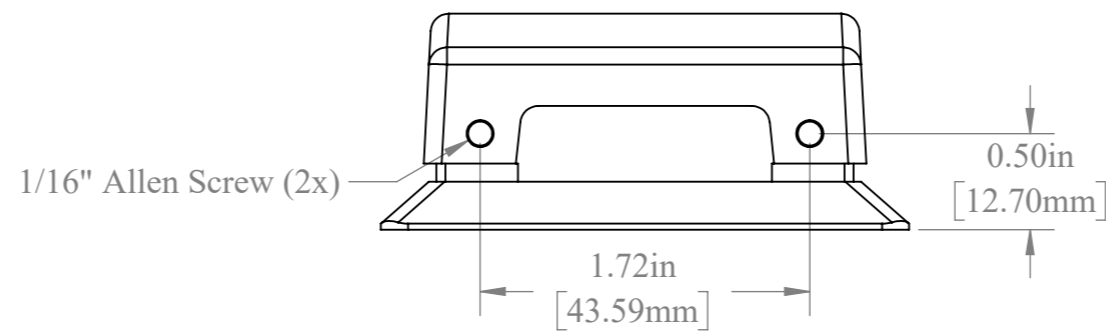
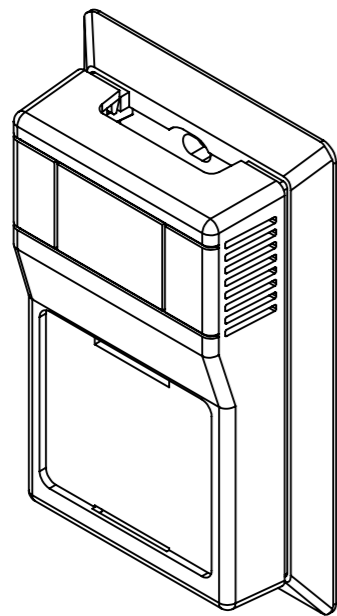
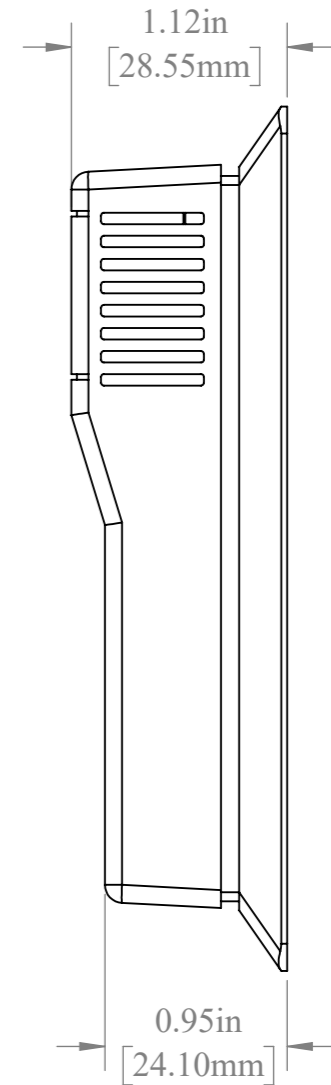
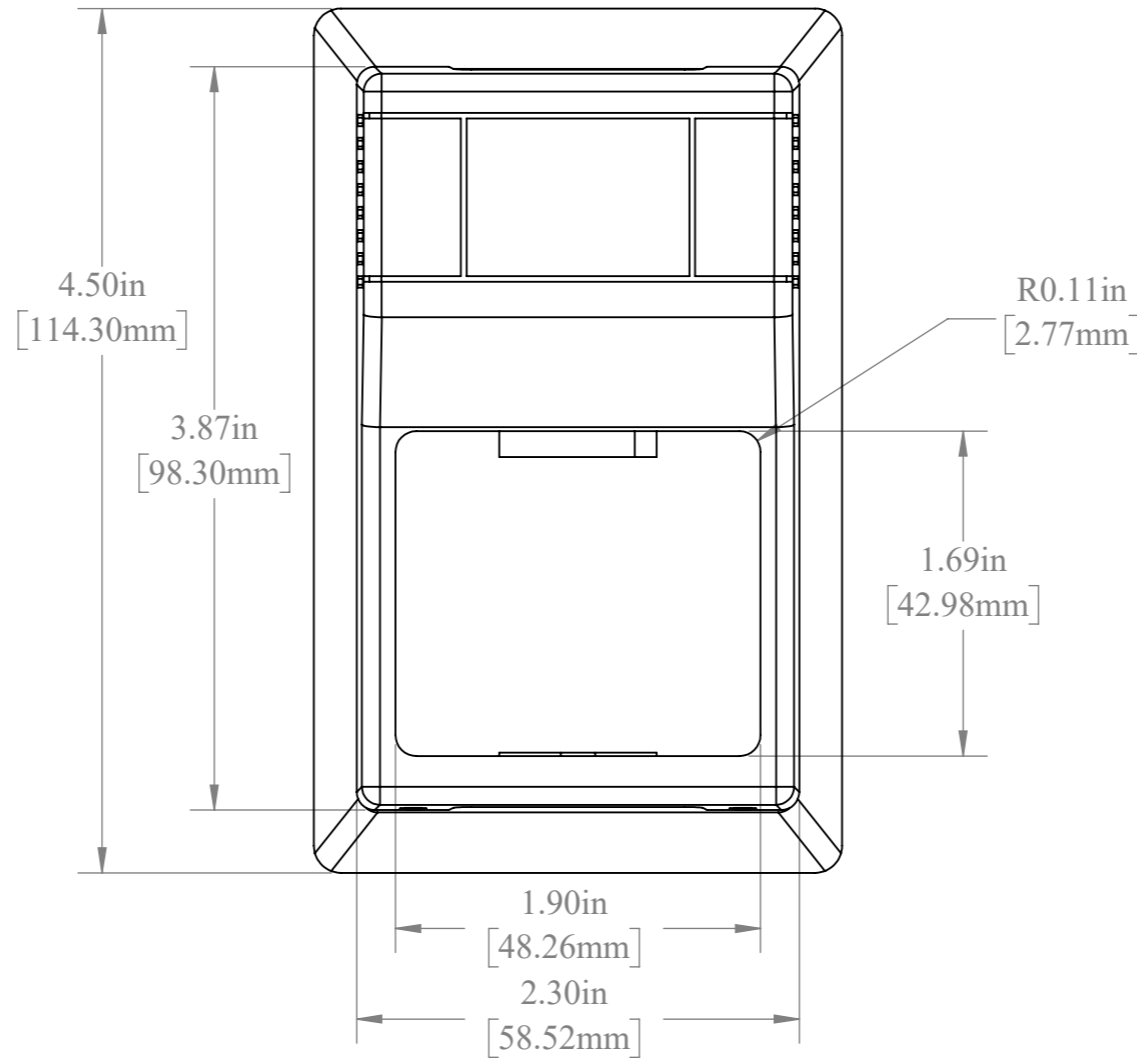
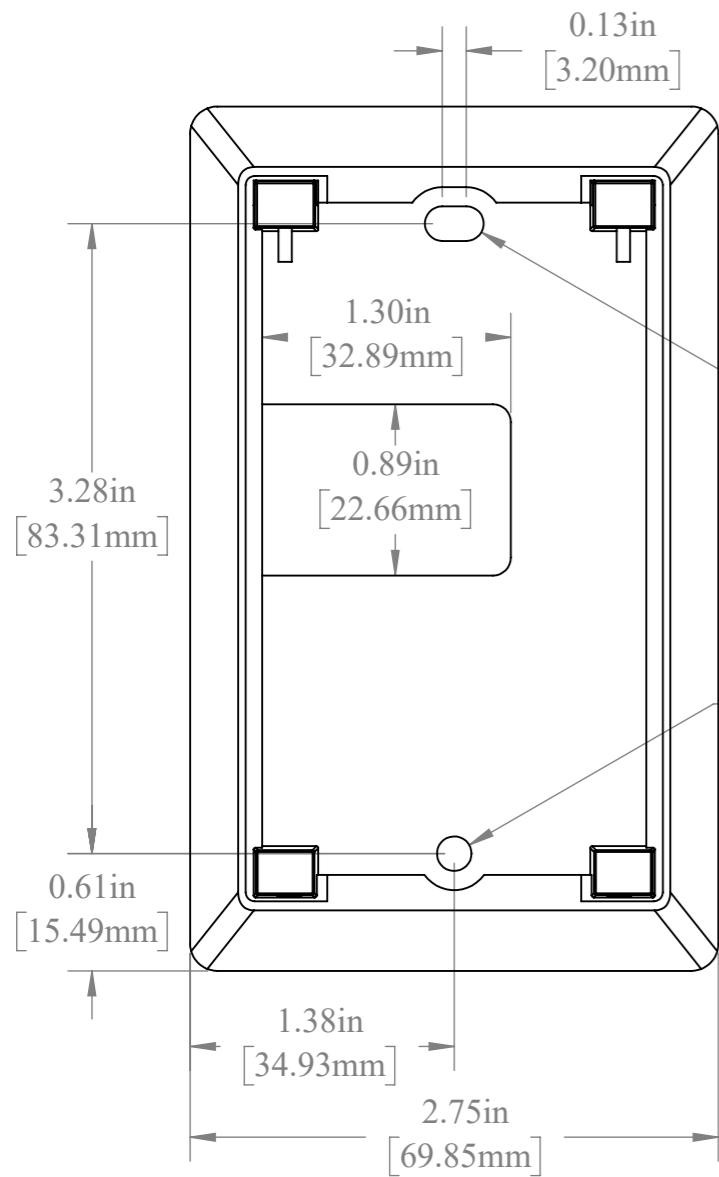
WARNING!

CONFIDENTIAL
 INFORMATION -- PROPERTY
 OF ACI. UNAUTHORIZED
 USE STRICTLY FORBIDDEN.

ACI
 Automation Components, Inc.

DRAWING NUMBER
 M0000086

DATE	DESCRIPTION	DRAWN BY	APPROVED BY	DRAWING NUMBER	REV
07-12-2018	Room w/Infinity II ENC. No Display	BEO	TJD	M0000086	2



UNLESS OTHERWISE SPECIFIED: DIMENSIONS ARE IN MILLIMETERS			FINISH:		DEBURR AND BREAK SHARP EDGES		DO NOT SCALE DRAWING		REVISION 2		
SURFACE FINISH:											
TOLERANCES:											
LINEAR:											
ANGULAR:											
		NAME		SIGNATURE		DATE		TITLE:			
DRAWN		Benton				7/12/2018		Room w/Infinity II ENC. No Display			
CHK'D											
APPV'D											
MFG											
Q.A								DWG NO.		A3	
								M000086 Rev 2			
								SCALE:1:1		SHEET 2 OF 2	
								WEIGHT:			