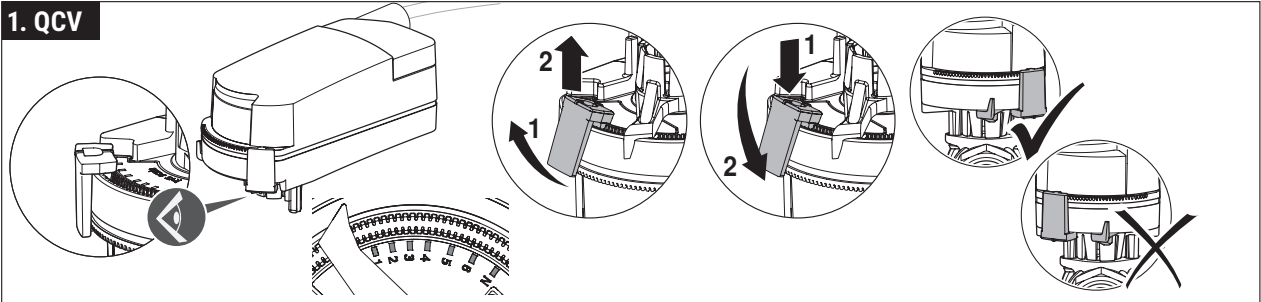


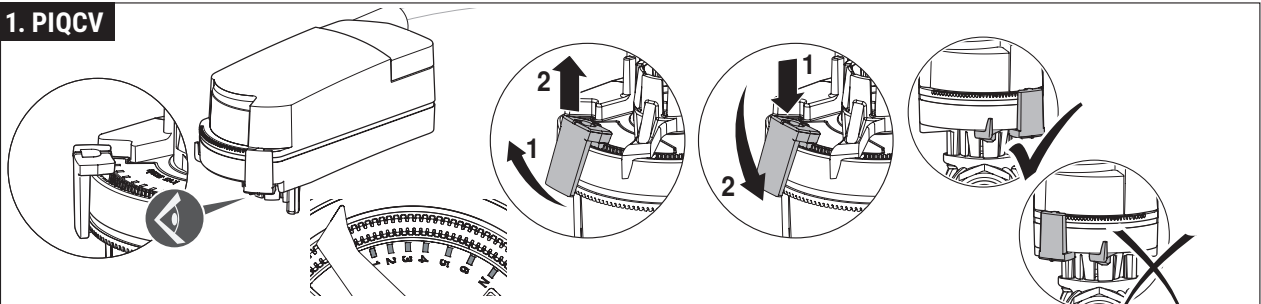
CQ... Actuators with ZoneTight Zone Valves

1. QCV



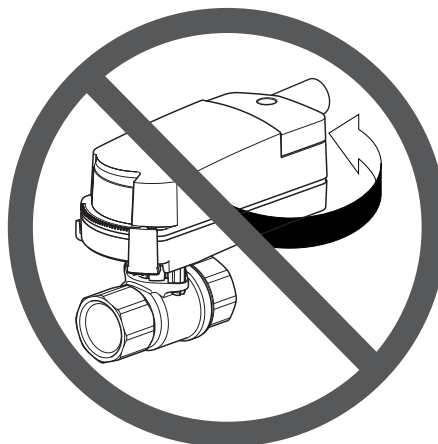
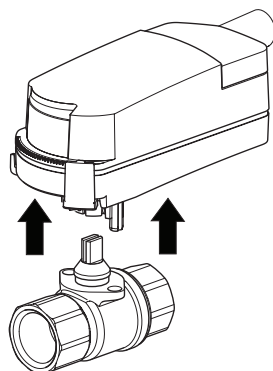
Size	Valve Model	V'max End Stop Positions										V'nom
		1	2	3-	3	4	4+	5	5+	6	N	No end stop
1/2"	Z2050Q(S)-F	0.1		0.2			0.4		0.6	0.8	1.2	1.4
1/2"	Z2050Q(S)-J	0.5	0.7		1.2	1.7		2.4		3	4.8	5.9
3/4"	Z2075Q(S)-K	0.5	1.0		1.5	2.3		3.3		4.6	6.6	9.8
1"	Z2100Q(S)-K	0.5	0.9		1.5	2.2		3.1		4.3	6	8.2
Runtime (seconds)		30	37	41	43	49	51	55	58	62	68	75

1. PIQCV

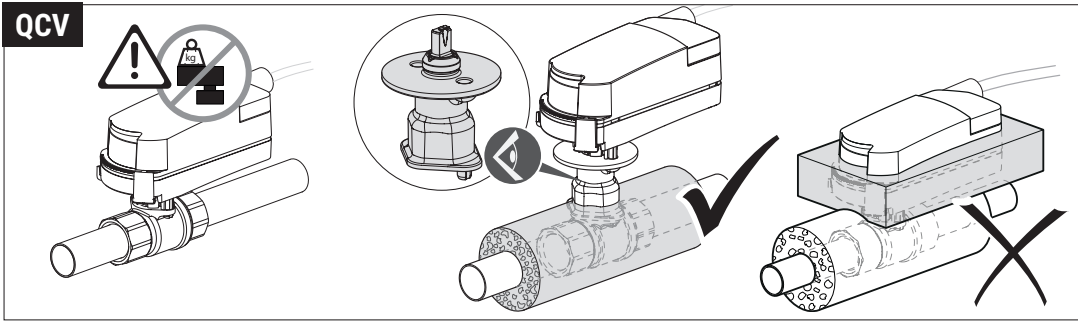
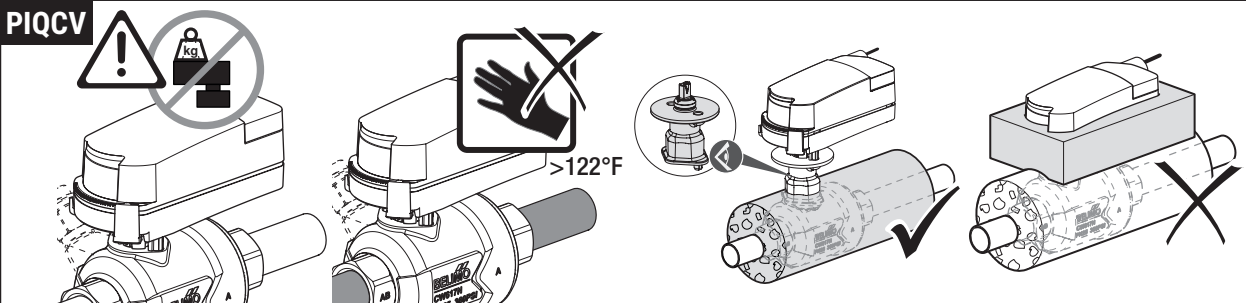
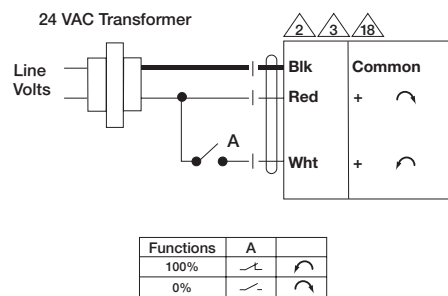
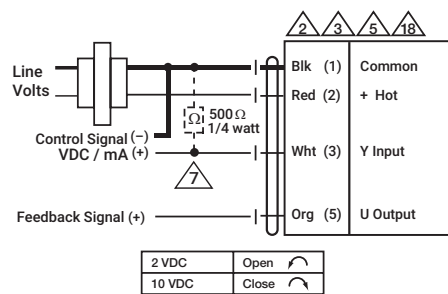
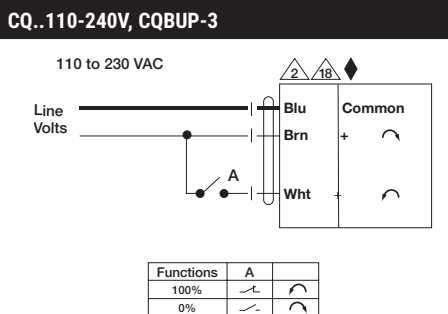
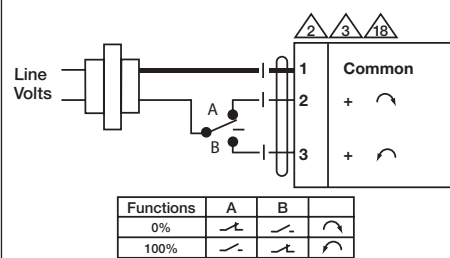
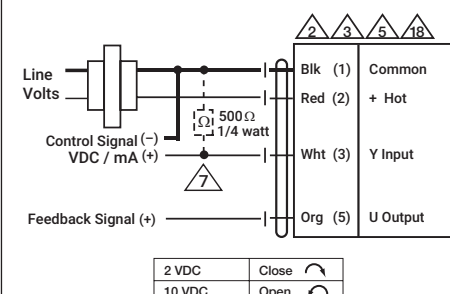
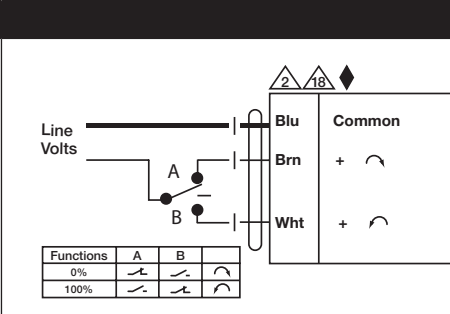


Valve Model (1/2")	Clip Position for Flow Adjustment (GPM)																				
	1	1+	2-	2	2+	3-	3	3+	4-	4	4+	5-	5	5+	6-	6	6+	N-	N	No Clip	
Z2050QPT-B			0.1					0.2			0.3		0.4		0.5		0.6	0.7	0.8	0.9	
Z2050QPT-D	0.2			0.3			0.4	0.5		0.6	0.7	0.8	0.9	1.0	1.2	1.3	1.5	1.6	1.8	2.0	
Z2050QPT-F			0.6			0.7	0.8	0.9	1.0	1.3	1.5	1.7	1.9	2.2	2.5	2.8	3.1	3.3	3.6	4.3	
Valve Model 3/4"																					
Z2075QPT-G			1.6	1.8	2.1	2.4	2.7	3.0	3.3	3.7	4.0	4.4	4.9	5.3	5.8	6.3	6.7	7.2	7.7	9.0	
Runtime		30	33	35	37	39	41	43	45	47	49	51	53	55	58	60	62	64	66	68	75

QCV/PIQCV Actuator Removal



Pull Straight Up. Do not Twist to Remove.

QCV

PIQCV

WIRING DIAGRAMS
CQ..24V, CQB24-3, CQB24-SR (-L) (-R)

On/Off, CQB24-3

Proportional, CQB24-SR-L

On/Off, CQBUP-3

Floating Point, CQB24-3

Proportional, CQB24-SR-R

Floating Point, CQBUP-3
Notes:

- ◆ Meets cULus requirements without the need of an electrical ground connection
- ⚠ Actuators may be connected in parallel. Power consumption and input impedance must be observed.
- ⚠ Actuators may also be powered by 24 VDC.
- ⚠ Only connect common to neg. (-) leg of control circuits.
- ⚠ A 500 Ω (ZG-R01) converts the 4 to 20 mA control signal to 2 to 10 VDC.
- ⚠ Actuators with plenum rated cable do not have numbers on wires; use color codes instead.

WARNING:
This product can expose you to lead which is known to the State of California to cause cancer and reproductive harm.
For more information go to

www.P65Warnings.ca.gov

WHT
White
Bianco
Bianco

RED
Red
Rojo
Rouge
Vermelho

BLK
Black
Negro
Noir
Preto